



BEST 
dormakaba Group

BEST Technical Catalog

SL6000

Surface Door Closers



BEST: Setting the Standard for Security

Contents

	Technical Details/Specifications	3
Technical Drawings	Regular × Round Form Arm	4
	Regular × Friction Hold Open	4
	Regular × Cushion IS Arm	5
	Regular × Spring Stop IS Arm	5
	Top Jamb × Round Form Arm	6
	Top Jamb × Friction Hold Open	6
	Top Jamb × Cushion IS Arm	7
	Top Jamb × Spring Stop IS Arm	7
	Parallel Arm × Round Form Arm	8
	Parallel Arm × Friction Hold Open	8
	Heavy-Duty Super Parallel Arm	9
	Heavy-Duty Parallel Arm Door Saver × Cushion	9
	Heavy-Duty Parallel Arm × Spring Door Saver	10
	Track – Pull Side Door Mounted	10
	Jamb Track – Pull Side Frame Mounted	11
	Push Track – Push Side Soffit Mounted	11
	Flush Track – Push Side Door Mounted × Backplate	12
	Track Double Egress – Pull Side Frame Mounted	12
Accessories	Round Form Arm (8 mm rod)	13
	Round Form Arm (10 mm rod)	13
	Round Form Arm (8 mm rod)	13
	Friction Hold Open Arm	13
	Cushion IS Arm	13
	Spring Stop IS Arm	13
	Super Parallel Arm	13
	Door Saver Arm	13
	Spring Stop Door Saver Arm	14
	Track Arms	14
	Sex Nuts	14
	Backplates	14
	Conversion Plate	14
	Drop Plate	15
	Brackets	15
	Slim Plastic Cover	16
	Blade Stop Spacer	16
	Heavy-Duty Blade Stop Spacer	16

dormakaba USA quality and environmental management systems in Reamstown, PA and Indianapolis, IN are certified to ISO 9001:2015 and ISO 14001:2015.



Technical Details

- Available as 6014 with adjustable spring sizes 1–4 and 6036 with adjustable spring sizes 3–6.
- 6014 meets 5 lb interior barrier-free applications.
- Non-handed for regular, top jamb and parallel arm applications.
- Quick and easy to install.
- Compact design.
- Two noncritical adjusting valves (sweep and latch) with thermostatic properties work to provide consistent closing speeds under a wide variety of temperatures.
- Adjustable backcheck standard. Provides cushioning when the door is abusively opened.
- Available with optional delayed action to delay door closing from maximum opening. Delay time is adjustable.
- Self-drilling screws for steel door and frame application (Standard with SNDTPK).
- Self-tapping screws for aluminum door and frame applications (Standard with SNDTPK).
- SL640C mounting bracket can be used when installing into a 9-1/16" template hole pattern.

Certifications

- ANSI/BHMA A156.4 Grade 1 certified.
- UL and CUL listed.
- Meets UL10C for positive pressure.
- CSFM approved.

Specification

All closers shall be DORMA SL6000 Series hydraulic surface applied rack and pinion closers. The closer has two independent valves to separately control sweep and latch closing speeds and provide constant speeds when temperatures change. Standard with adjustable backcheck to provide cushioning effect in opening. All SL6000 fully adjustable spring force door closers to include an integral design to positively stop adjustment of the spring at the minimum and maximum spring force settings.

Optional Specification

The SL6000 Series closer to have delayed action (DA). Delayed action range will be effective from maximum opening to approximately 65°. All SL6000 closers to have slim plastic cover (COV). Closers to have arm with a selective single point hold open between 80°–170° for regular mount (FH), 70°–175° for parallel arm mount (specify FHP).

All closers to have sex nuts with machine screws for 1-3/4" door. Closers to have self-drilling screws for steel doors and frames (DPK70). Closers to have self-tapping screws for aluminum doors and frames (TPK70). Closers to have TORX security for all exposed fasteners (TX70).

All closers to be supplied with SL640C mounting bracket to match a 9-1/16" closer body hole pattern.

Finishes

Standard Sprayed Finishes

- **Aluminum:** 689.
- **Bronze:** 691 (Dull), 690 (Statuary), or 695 (Dark Duranodic).
- **Gold:** 696.
- **Black:** 693.

Optional DORMA Custom Color or Designer Color Finishes: Contact Customer Service.

Warranty

For details, refer to DORMA Limited Warranty Policy on our website at go.BESTACCESS.com.

REDUCED OPENING FORCE INSTALLATIONS CAUTION:

Manual door closers, including those certified to meet ANSI/BHMA A156.4, when installed and adjusted to conform to ADA or other reduced opening force requirements, may not provide sufficient power to reliably close and latch a door.

Refer to catalog for Low Energy Operator to meet reduced opening force requirements without affecting closing power.

Features	6014	6036
Spring sizes (shipped as size 4)	1-4*	3-6
Non-handed	•	•
Parallel arm bracket	•	•
Adjustable spring sizes	•	•
Fixed spring sizes	-	-
Controlled closing with two adjustment valves	180°–10° 10°–0°	180°–10° 10°–0°
Backcheck	•	•
Delayed action	•	•
Hold open	•	•
Self-drilling screws	•	•
Self-tapping screws	•	•
Tamper-resistant TORX screws	•	•
Slim plastic cover	•	•

• yes - no • optional

* Meets 5 lb maximum opening force on 3'-0" wide interior doors.



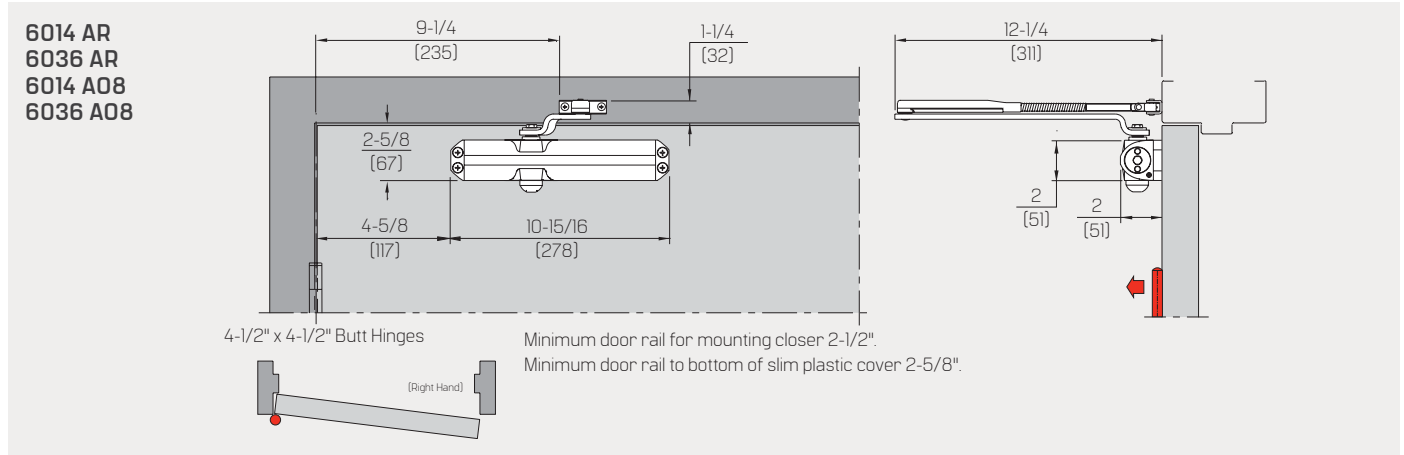
Regular * Round Form Arm

Technical Drawing Symbols & Notes

- Recommended application

N/A Not applicable/application not recommended

- ♿ Opening force 5 lb or less on interior doors; 8.5 lb or less on exterior doors where door without closer attached requires 1 lb opening force or less.

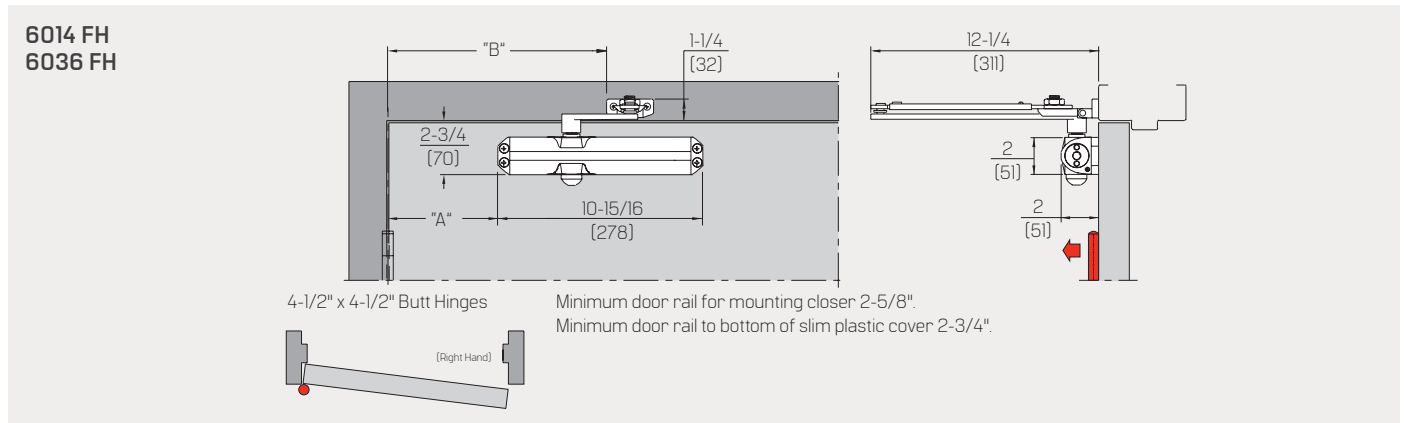


Size Selection Chart

Closer	Interior/ Exterior	Door Width				
		2'-0" min.	2'-6" max.	3'-0" max.	3'-6" max.	4'-0" max.
6014	Interior	•	•	♿	♿	N/A
	Exterior	•	•	♿	N/A	N/A
6036	Interior	N/A	N/A	•	•	•
	Exterior	N/A	•	•	•	•

Template Ref.	Approximate Maximum Opening	Approximate Backcheck	Approximate Delayed Action
To 180°	180°	65°-180°	180°-65°

Regular * Friction Hold Open

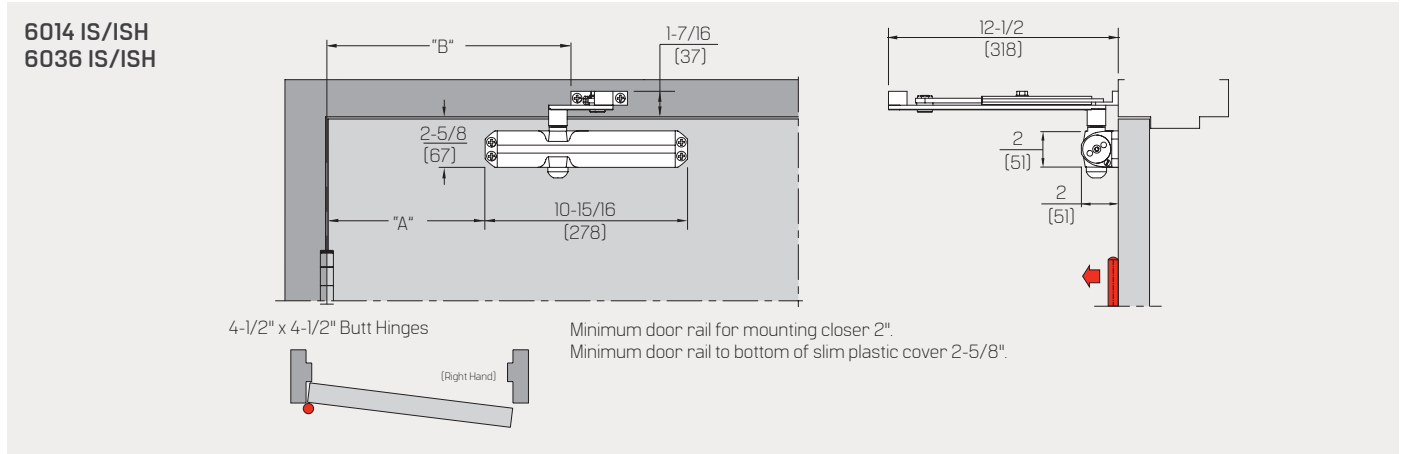


Size Selection Chart

Closer	Interior/ Exterior	Door Width				
		2'-0" min.	2'-6" max.	3'-0" max.	3'-6" max.	4'-0" max.
6014	Interior	•	•	♿	♿	N/A
	Exterior	•	•	♿	N/A	N/A
6036	Interior	N/A	N/A	•	•	•
	Exterior	N/A	•	•	•	•

Template Ref.	Dim "A"	Dim "B"	Approximate Maximum Opening	*Approximate Backcheck	Approximate Delayed Action	Min. Hold Open	Max. Hold Open
To 100°	7-1/8" [181]	12-5/8" [321]	110°	65°-110°	110°-65°	80°	110°
100° to 120°	6-1/8" [155]	11-5/8" [295]	125°	70°-125°	125°-70°	90°	125°
Over 120°	3-5/8" [92]	9-1/8" [232]	180°	85°-180°	180°-85°	100°	170°

Regular * Cushion IS Arm



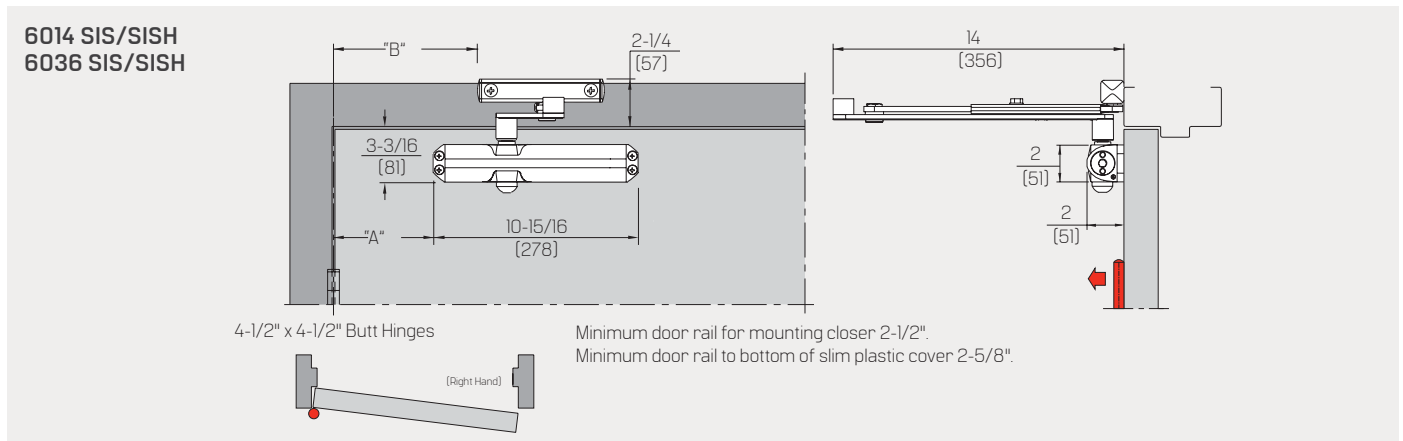
Size Selection Chart

Closer	Interior/ Exterior	Door Width				
		2'-0" min.	2'-6" max.	3'-0" max.	3'-6" max.	4'-0" max.
6014	Interior	.	.	⊗	⊗	N/A
	Exterior	.	.	⊗	N/A	N/A
6036	Interior	N/A	N/A	.	.	.
	Exterior	N/A

Template Ref.	Dim "A"	Dim "B"	*Cushion / Hold Open	Approximate Backcheck	Approximate Delayed Action
85°	7-11/16" [195]	13-7/8" [352]	85°	55°-85°	85°-55°
90°	7" [178]	13-1/2" [343]	90°	60°-90°	90°-60°
95°	6-3/16" [157]	13-1/4" [337]	95°	65°-95°	95°-65°
100°	6-1/8" [156]	12-5/8" [321]	100°	70°-100°	100°-70°
105°	5-11/16" [144]	12-1/4" [311]	105°	75°-105°	105°-75°
110°	5-1/4" [133]	11-7/8" [302]	110°	75°-110°	110°-75°

* Hold Open is approximately 5°-7° less than the cushion angle listed in the chart.

Regular * Spring Stop IS Arm



Size Selection Chart

Closer	Interior/ Exterior	Door Width				
		2'-0" min.	2'-6" max.	3'-0" max.	3'-6" max.	4'-0" max.
6014	Interior	.	.	⊗	⊗	N/A
	Exterior	.	.	⊗	N/A	N/A
6036	Interior	N/A	N/A	.	.	.
	Exterior	N/A

Template Ref.	Dim "A"	Dim "B"	*Cushion / Hold Open	Approximate Backcheck	Approximate Delayed Action
85°	9" [229]	11-9/16" [294]	85°	55°-85°	85°-55°
90°	8-1/2" [215]	11-1/16" [281]	90°	60°-90°	90°-60°
100°	7-1/2" [191]	10-1/16" [256]	100°	70°-100°	100°-70°
110°	6-3/4" [172]	9-5/16" [237]	110°	75°-110°	110°-75°
105°	5-11/16" [144]	12-1/4" [311]	105°	75°-105°	105°-75°
110°	5-1/4" [133]	11-7/8" [302]	110°	75°-110°	110°-75°

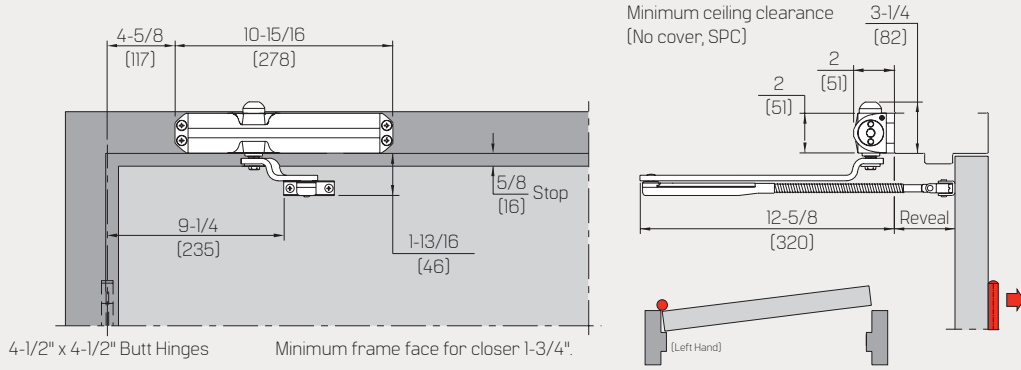
* Hold Open is approximately 5°-7° less than the cushion angle listed in the chart.

Top Jamb × Round Form Arm

6014 ARJ
(>4" to 8" reveal)

6036 ARJ
(>4" to 8" reveal)

NOTE: Use AR for reveal ≤4"



Size Selection Chart

Closer	Interior/ Exterior	Door Width				
		2'-0" min.	2'-6" max.	3'-0" max.	3'-6" max.	4'-0" max.
6014	Interior	•	•	⊗	⊗	N/A
	Exterior	•	•	⊗	N/A	N/A
6036	Interior	N/A	N/A	•	•	•
	Exterior	N/A	•	•	•	•

Template Ref.	Reveal	Arm	Approximate Maximum Opening	Approximate Backcheck	Approximate Delayed Action
To 180°	0"	AR	180°	70°–180°	180°–60°
	4"	AR	180°	75°–180°	180°–70°
	>4"	ARJ	180°	75°–180°	180°–70°
	8"	ARJ	165°	80°–165°	165°–75°

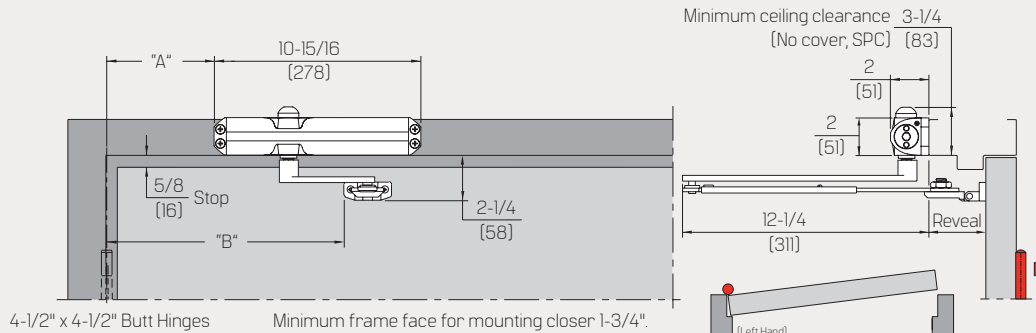
NOTE: **Bold type** shows supplied arm.

Top Jamb × Friction Hold Open

6014 FHJ
(>4" to 8" reveal)

6036 FHJ
(>4" to 8" reveal)

NOTE: Use FH for reveal ≤4"



Size Selection Chart

Closer	Interior/ Exterior	Door Width				
		2'-0" min.	2'-6" max.	3'-0" max.	3'-6" max.	4'-0" max.
6014	Interior	•	•	⊗	⊗	N/A
	Exterior	•	•	⊗	N/A	N/A
6036	Interior	N/A	N/A	•	•	•
	Exterior	N/A	•	•	•	•

Template Ref.	Dim "A"	Dim "B"	Reveal	Arm	Approx. Maximum Opening	Approx. Backcheck	Approx. Delayed Action	Min. Hold Open	Max. Hold Open
To 100°	7-5/8" (194)	13-1/8" (333)	0"	FH	110°	70°–110°	110°–70°	70°	105°
			4"	FH	105°	75°–105°	105°–75°	70°	100°
			>4"	FHJ	105°	75°–105°	105°–75°	70°	100°
			8"	FHJ	100°	80°–100°	100°–80°	70°	95°
To 120°	6-1/8" (155)	11-5/8" (295)	0"	FH	125°	75°–125°	125°–75°	75°	120°
			4"	FH	120°	80°–120°	120°–80°	75°	115°
			>4"	FHJ	120°	80°–120°	120°–80°	75°	115°
			8"	FHJ	115°	85°–115°	115°–85°	75°	110°
Over 120°	3-5/8" (92)	9-1/8" (232)	0"	FH	180°	85°–180°	180°–85°	80°	170°
			4"	FH	180°	90°–180°	180°–90°	80°	170°
			>4"	FHJ	180°	90°–180°	180°–90°	80°	170°
			8"	FHJ	165°	100°–165°	165°–100°	85°	155°

NOTE: **Bold type** shows supplied arm.

Top Jamb × Cushion IS Arm

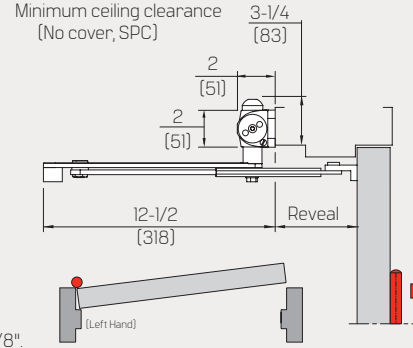
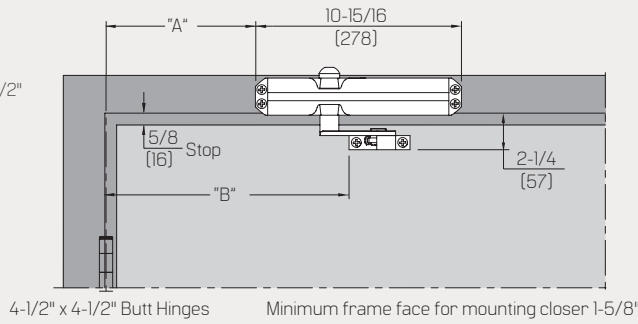
6014 ISJ/ISJH

(>3-1/2" to 6-1/2" reveal)

6036 ISJ/ISJH

(>3-1/2" to 6-1/2" reveal)

NOTE: Use IS for reveal ≤3-1/2"



Size Selection Chart

Closer	Interior/Exterior	Door Width				
		2'-0" min.	2'-6" max.	3'-0" max.	3'-6" max.	4'-0" max.
6014	Interior	•	•	⊗	⊗	N/A
	Exterior	•	•	⊗	N/A	N/A
6036	Interior	N/A	N/A	•	•	•
	Exterior	N/A	•	•	•	•

Template Ref.	Dim "A"	Dim "B"	Reveal	Arm	Cushion/ Hold Open	Approx. Backcheck	Approx. Delayed Action
85°	6-1/2" (165)	12-5/8" (321)	0"-3-1/2"	IS	85°	55°-85°	85°-55°
			>3-1/2"-6-1/2"	ISJ	85°	55°-85°	85°-55°
90°	5-3/4" (146)	12-1/8" (308)	0"-3-1/2"	IS	90°	60°-90°	90°-60°
			>3-1/2"-6-1/2"	ISJ	90°	60°-90°	90°-60°
95°	5-1/2" (140)	11-3/4" (298)	0"-3-1/2"	IS	95°	65°-95°	95°-65°
			>3-1/2"-6-1/2"	ISJ	95°	65°-95°	95°-65°
100°	5-1/4" (133)	11-1/4" (286)	0"-3-1/2"	IS	100°	70°-100°	100°-70°
			>3-1/2"-6-1/2"	ISJ	100°	70°-100°	100°-70°
105°	5" (127)	11" (279)	0"-3-1/2"	IS	105°	75°-105°	105°-75°
			>3-1/2"-6-1/2"	ISJ	105°	75°-105°	105°-75°
110°	4-3/4" (121)	10-3/4" (273)	0"-3-1/2"	IS	110°	75°-110°	110°-75°
			>3-1/2"-6-1/2"	ISJ	110°	75°-110°	110°-75°

* Hold Open is approximately 5°-7° less than the cushion angle listed in the chart.
NOTE: **Bold type** shows supplied arm.

Top Jamb × Spring Stop IS Arm

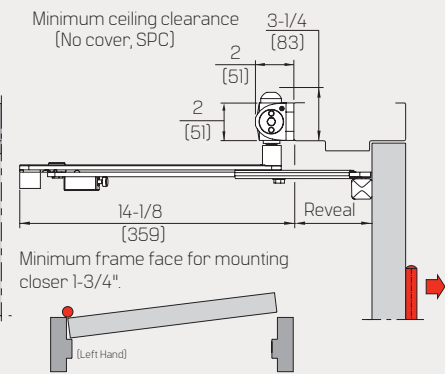
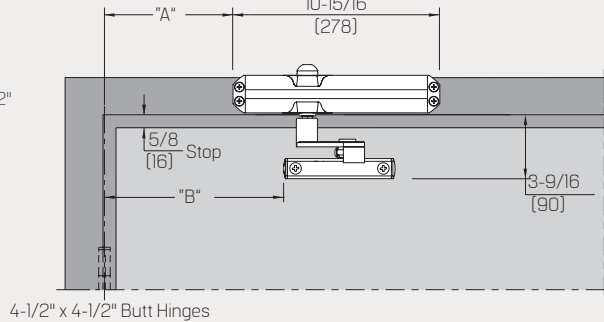
6014 SISJ/SISJH

(>3-1/2" to 6-1/2" reveal)

6036 SISJ/SISJH

(>3-1/2" to 6-1/2" reveal)

NOTE: Use SIS for reveal ≤3-1/2"



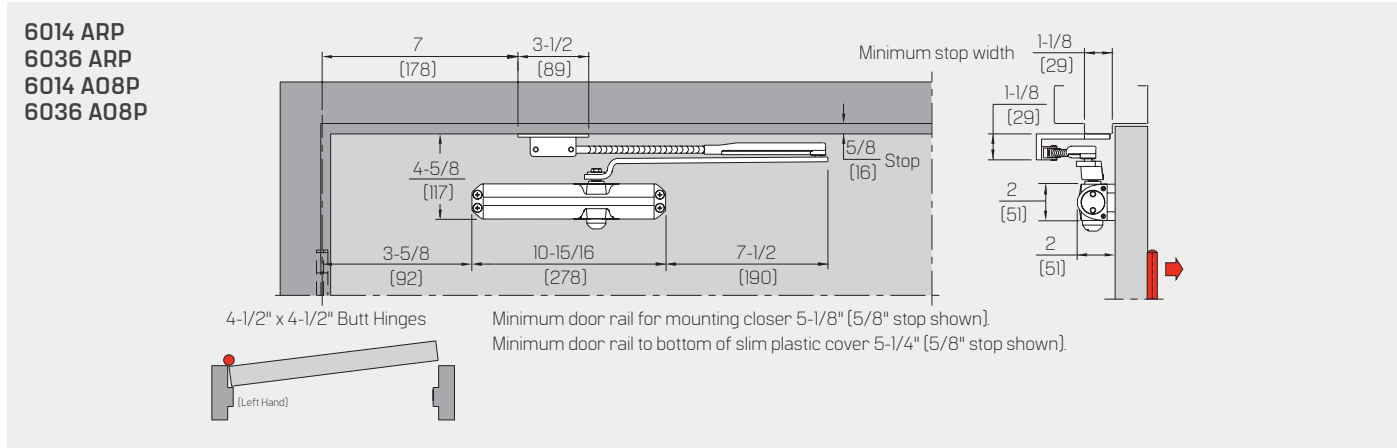
Size Selection Chart

Closer	Interior/Exterior	Door Width				
		2'-0" min.	2'-6" max.	3'-0" max.	3'-6" max.	4'-0" max.
6014	Interior	•	•	⊗	⊗	N/A
	Exterior	•	•	⊗	N/A	N/A
6036	Interior	N/A	N/A	•	•	•
	Exterior	N/A	•	•	•	•

Template Ref.	Dim "A"	Dim "B"	Reveal	Arm	Cushion/ Hold Open	Approx. Backcheck	Approx. Delayed Action
85°	8-1/2" (216)	11-1/16" (281)	0"-3-1/2"	SIS	85°	55°-85°	85°-55°
			>3-1/2"-6-1/2"	SISJ	85°	55°-85°	85°-55°
90°	7-7/8" (200)	10-7/16" (266)	0"-3-1/2"	SIS	90°	60°-90°	90°-60°
			>3-1/2"-6-1/2"	SISJ	90°	60°-90°	90°-60°
100°	7" (178)	9-9/16" (243)	0"-3-1/2"	SIS	100°	70°-100°	100°-70°
			>3-1/2"-6-1/2"	SISJ	100°	70°-100°	100°-70°
110°	6-3/8" (162)	8-15/16" (227)	0"-3-1/2"	SIS	110°	75°-110°	110°-75°
			>3-1/2"-6-1/2"	SISJ	110°	75°-110°	110°-75°

* Hold Open is approximately 5°-7° less than the cushion angle listed in the chart.
NOTE: **Bold type** shows supplied arm.

Parallel Arm * Round Form Arm

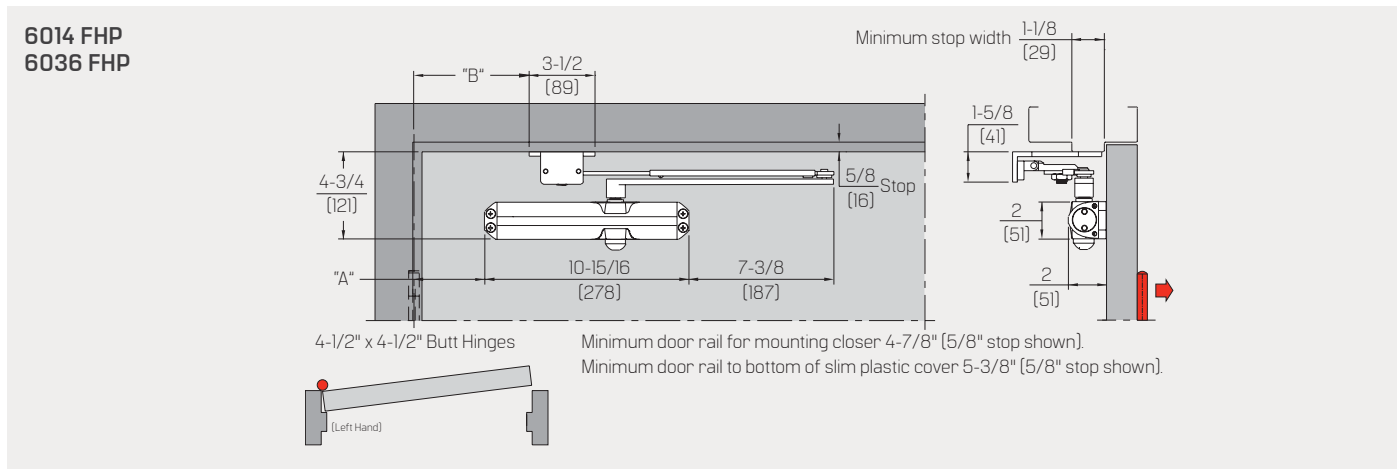


Size Selection Chart

Closer	Interior/ Exterior	Door Width			
		2'-6" max.	3'-0" max.	3'-6" max.	4'-0" max.
6014	Interior	.	&	N/A	N/A
	Exterior	.	N/A	N/A	N/A
6036	Interior
	Exterior	.	.	.	N/A

Template Ref.	Approximate Maximum Opening	Approximate Backcheck	Approximate Delayed Action	Minimum Door Width
To 180°	180°	75°-180°	180°-75°	26"

Parallel Arm * Friction Hold Open

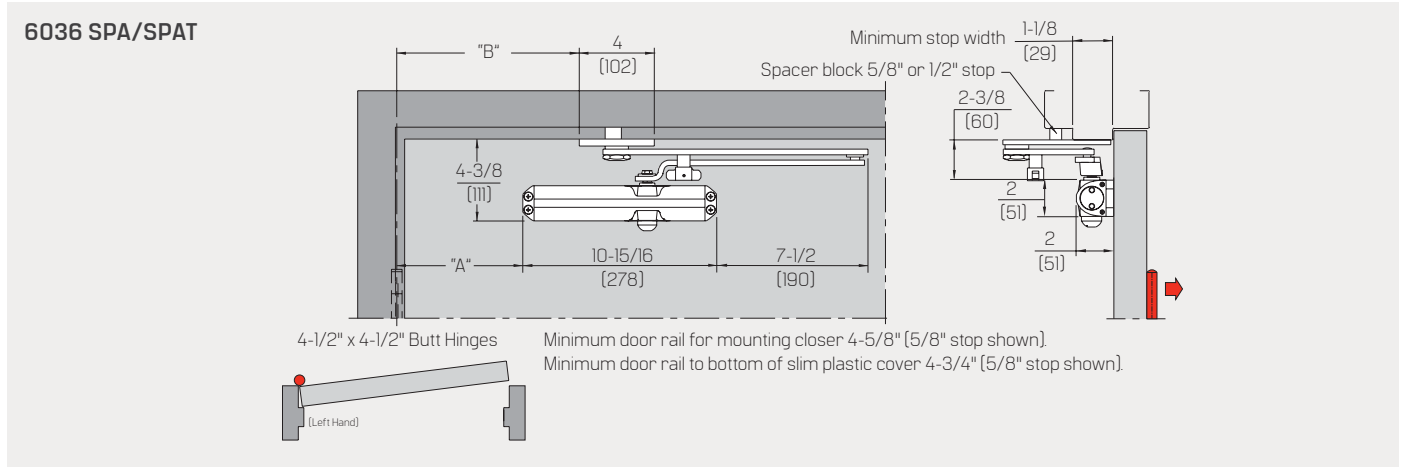


Size Selection Chart

Closer	Interior/ Exterior	Door Width			
		2'-6" max.	3'-0" max.	3'-6" max.	4'-0" max.
6014	Interior	.	&	N/A	N/A
	Exterior	.	N/A	N/A	N/A
6036	Interior
	Exterior	.	.	.	N/A

Template Ref.	Dim "A"	Dim "B"	Approximate Maximum Opening	Approximate Backcheck	Approximate Delayed Action	Min. Hold Open	Max. Hold Open	Min. Door Width
To 100°	5-1/2" [140]	9" [228]	110°	80°-110°	110°-80°	45°	105°	29"
Over 100°	3" [76]	6-1/2" [165]	180°	95°-180°	180°-95°	45°	175°	24"

Heavy-Duty Super Parallel Arm

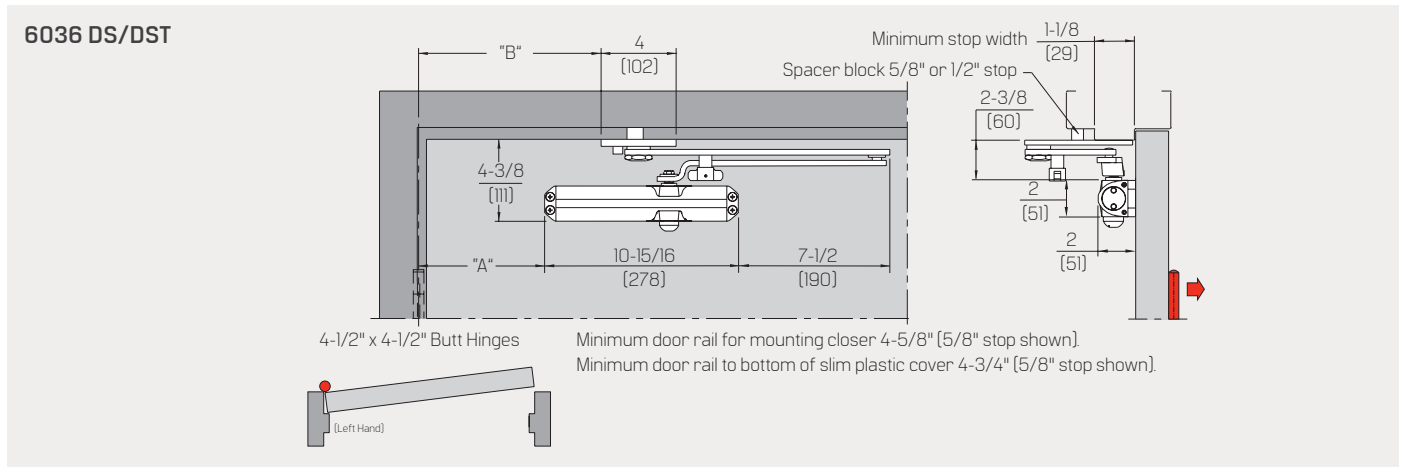


Size Selection Chart

Closer	Interior/ Exterior	Door Width				
		2'-0" min.	2'-6" max.	3'-0" max.	3'-6" max.	4'-0" max.
6036	Interior	N/A	•	•	•	•
	Exterior	•	•	•	•	N/A

Template Ref.	Dim "A" Closer	Dim "B" Soffit Plate	Approximate Maximum Opening	Approximate Backcheck	Approximate Delayed Action	Minimum Door Width
To 100° H.O. 90°	5-5/8" [143]	9-1/8" [232]	100°	60°-100°	100°-75°	26"
To 180° H.O. 123°	2" [51]	5-1/2" [140]	180°	80°-180°	180°-95°	23"

Heavy-Duty Parallel Arm Door Saver * Cushion

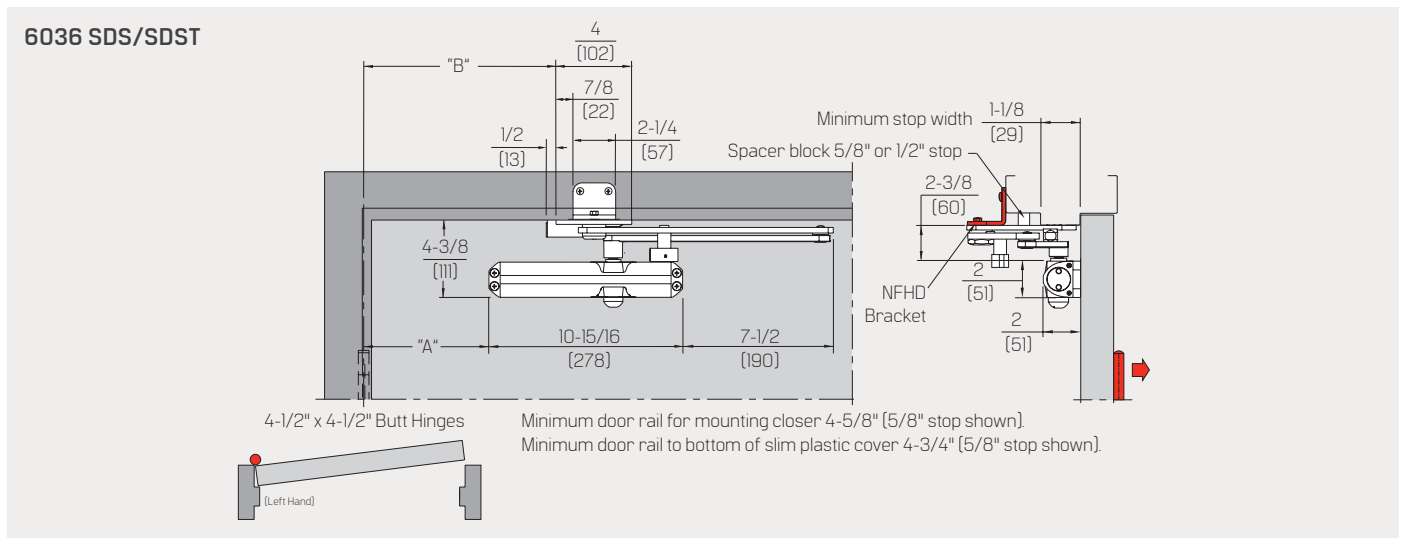


Size Selection Chart

Closer	Interior/ Exterior	Door Width				
		2'-0" min.	2'-6" max.	3'-0" max.	3'-6" max.	4'-0" max.
6036	Interior	N/A	•	•	•	•
	Exterior	•	•	•	•	N/A

Template Ref.	Dim "A" Closer	Dim "B" Soffit Plate	*Cushion/ Hold Open	Approximate Backcheck	Approximate Delayed Action	Minimum Door Width
85°	6" [153]	10" [254]	85°	50°-85°	85°-65°	26"
90°	5-1/8" [131]	9-1/4" [235]	90°	55°-90°	90°-70°	25"
100°	4" [102]	8" [203]	100°	60°-100°	100°-75°	24"
110°	2-3/4" [70]	6-7/8" [175]	110°	65°-110°	110°-80°	23"

Heavy-Duty Parallel Arm * Spring Door Saver



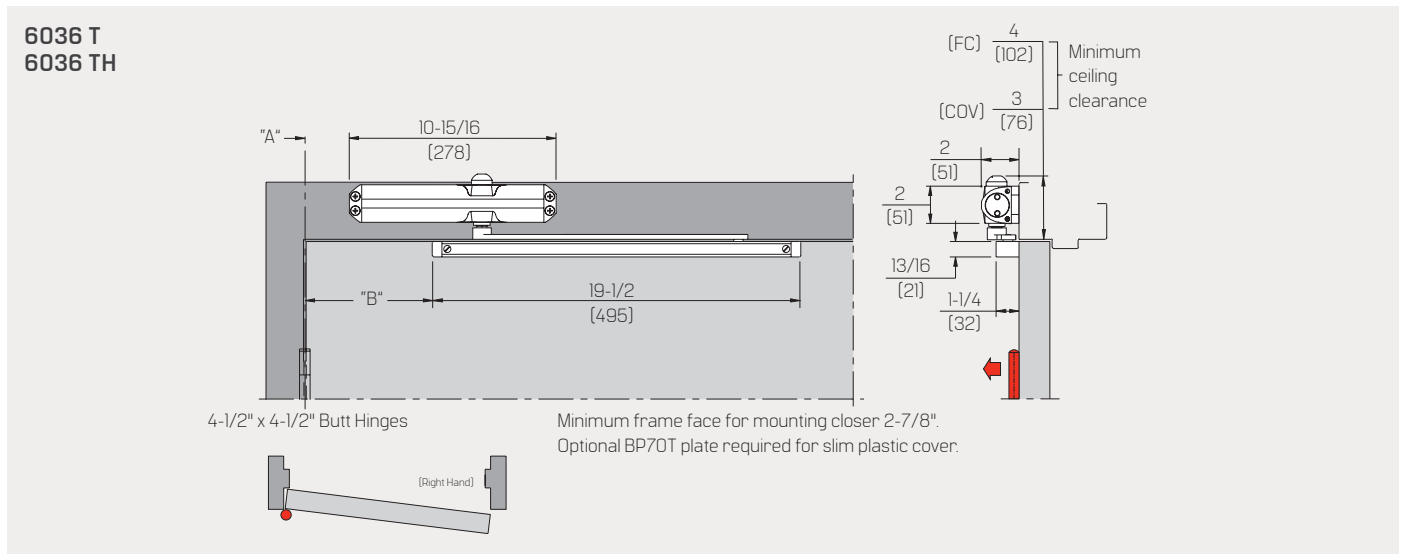
Size Selection Chart

Closer	Interior/ Exterior	Door Width				
		2'-0" min.	2'-6" max.	3'-0" max.	3'-6" max.	4'-0" max.
6036	Interior	N/A
	Exterior	N/A

Template Ref.	Dim "A" Closer	Dim "B" Soffit Plate	*Dead Stop/ Hold Open	Approximate Backcheck	Approximate Delayed Action	Minimum Door Width
85°	6" [153]	10" [254]	85°	50°-85°	85°-65°	26"
90°	5-1/8" [131]	9-1/4" [235]	90°	55°-90°	90°-70°	25"
100°	4" [102]	8" [203]	100°	60°-100°	100°-75°	24"
110°	2-3/4" [70]	6-7/8" [175]	110°	65°-110°	110°-80°	23"

* Hold Open is approximately 5°-7° less than the dead stop angle listed in the chart.

Track – Pull Side Door Mounted



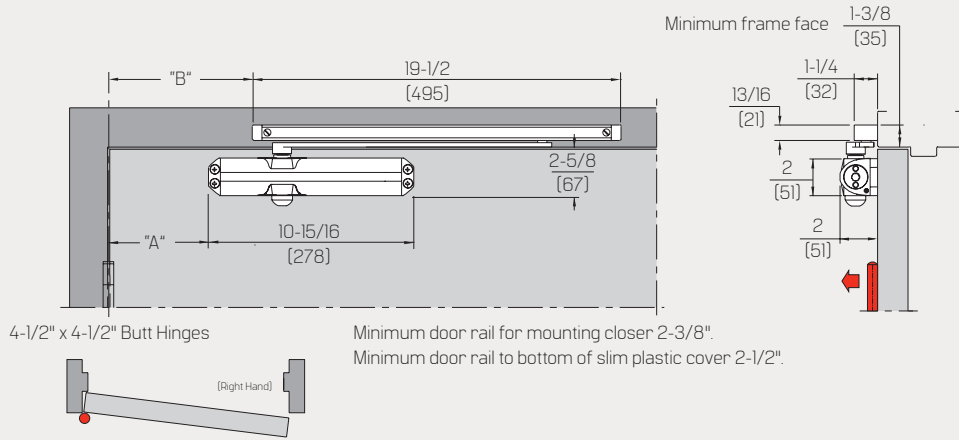
Size Selection Chart

Closer	Interior/ Exterior	Door Width			
		2'-6" max.	3'-0" max.	3'-6" max.	4'-0" max.
6036	Interior
	Exterior	.	.	N/A	N/A

Template Ref.	Dim "A"	Dim "B"	Cushion	Maximum Hold Open	Approximate Backcheck	Approximate Delayed Action	Minimum Door Width
85°	2-5/8" [60]	9-5/8" [244]	85°	83°	65°-85°	85°-65°	31"
90°	2-5/8" [60]	8-5/8" [219]	90°	88°	65°-90°	90°-65°	30"
110°	1-3/8" [44]	6-3/4" [171]	110°	108°	70°-110°	110°-70°	27"
180°	7/8" [22]	4-1/8" [105]	180°	160°	80°-180°	180°-80	25"

Jamb Track – Pull Side Frame Mounted

6036 JT
6036 JTH



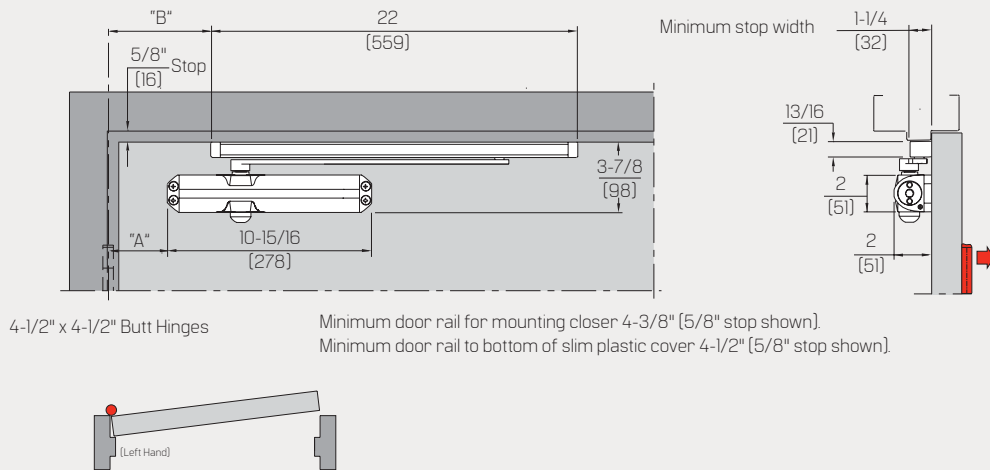
Size Selection Chart

Closer	Interior/ Exterior	Door Width			
		2'-6" max.	3'-0" max.	3'-6" max.	4'-0" max.
6036	Interior	•	•	•	N/A
	Exterior	•	•	N/A	N/A

Template Ref.	Dim "A"	Dim "B"	Cushion	Maximum Hold Open	Approximate Backcheck	Approximate Delayed Action	Minimum Door Width
85°	6-1/8" [156]	8" [203]	85°	80°	60°-85°	85°-60°	31"
90°	6-5/8" [168]	7-1/2" [191]	90°	85°	65°-90°	90°-65°	30"
100°	4-3/8" [111]	5-3/4" [146]	110°	100°	80°-110°	110°-80°	28"
110°	3-7/8" [98]	3-3/8" [86]	175°	145°	95°-180°	175°-95°	25"

Push Track – Push Side Soffit Mounted

6036 PT
6036 PTH



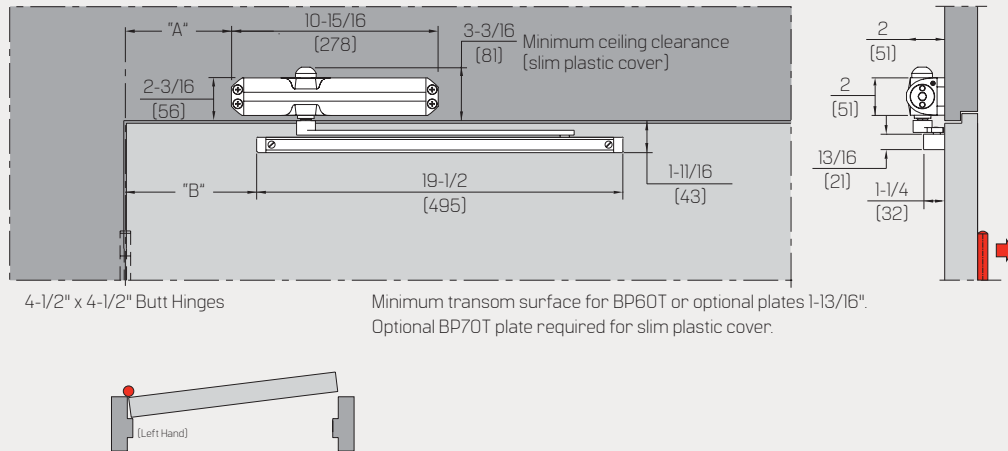
Size Selection Chart

Closer	Interior/ Exterior	Door Width			
		2'-6" max.	3'-0" max.	3'-6" max.	4'-0" max.
6036	Interior	•	•	•	N/A
	Exterior	•	•	N/A	N/A

Template Ref.	Dim "A"	Dim "B"	Cushion	Maximum Hold Open	Approximate Backcheck	Approximate Delayed Action	Minimum Door Width
85°	3-1/4" [83]	9-1/8" [232]	85°	82°	65°-85°	85°-65°	33"
90°	3-1/4" [83]	7-1/2" [191]	90°	87°	65°-90°	90°-65°	31"
100°	3-1/4" [83]	5-1/2" [140]	100°	97°	65°-100°	100°-65°	29"

Flush Track – Push Side Door Mounted * Backplate

6036 FT BP70T
6036 FTH BP70T



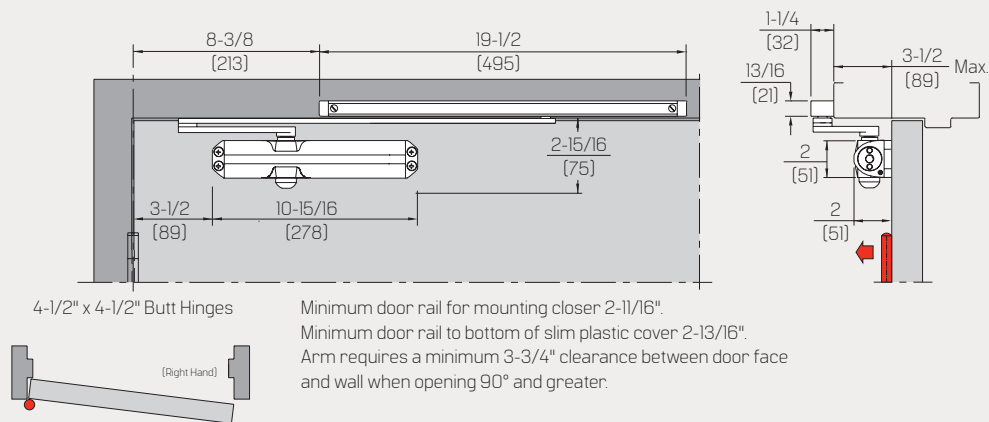
Size Selection Chart

Closer	Interior/ Exterior	Door Width			
		2'-6" max.	3'-0" max.	3'-6" max.	4'-0" max.
6036	Interior	•	•	•	N/A
	Exterior	•	•	N/A	N/A

Template Ref.	Dim "A"	Dim "B"	Cushion	Maximum Hold Open	Approximate Backcheck	Approximate Delayed Action	Minimum Door Width
85°	4-7/8" [124]	6-3/8" [162]	85°	82°	60°–85°	85°–60°	29"
90°	4-3/8" [111]	6-1/16" [154]	90°	87°	65°–90°	90°–65°	28"
100°	3-3/8" [86]	4-3/4" [121]	110°	105°	75°–110°	110°–75°	26"
140°	2-3/8" [60]	4" [102]	135°	125°	85°–135°	135°–85°	25"

Track Double Egress – Pull Side Frame Mounted

6036 TDE
6036 TDEH

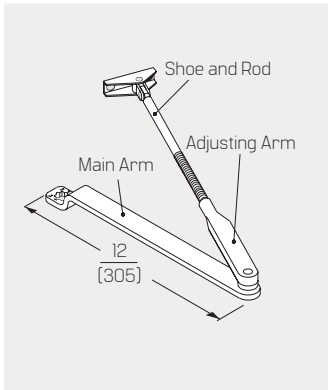


Size Selection Chart

Closer	Interior/ Exterior	Door Width			
		2'-6" max.	3'-0" max.	3'-6" max.	4'-0" max.
6036	Interior	•	•	•	N/A
	Exterior	•	•	N/A	N/A

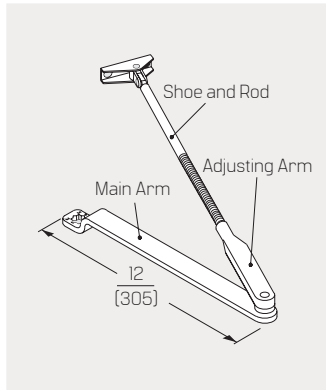
Template Ref.	Cushion	Maximum Hold Open	Approximate Backcheck	Approximate Delayed Action	Minimum Door Width
117°	117°	110°	70°–117°	117°–70°	28"

Round Form Arm (8 mm rod)



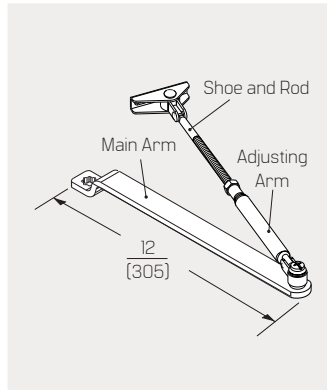
AR – Complete arm assembly (0"–4" [0 mm–102 mm] reveal) with 8 mm rod. Optional arm with HD7000 Series closers. Arm is non-handed.
ARP – Parallel round form arm complete (Tri-Pack) (0"–4" [0 mm–102 mm] reveal). P70 included.

Round Form Arm (10 mm rod)



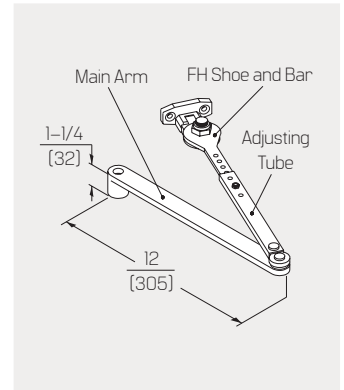
ARJ – Complete arm assembly (4"–8" [102 mm–203 mm] reveal) with (10 mm) rod. Designed specifically for top jamb applications with deeper reveals. Arm is non-handed.

Round Form Arm (8 mm rod)



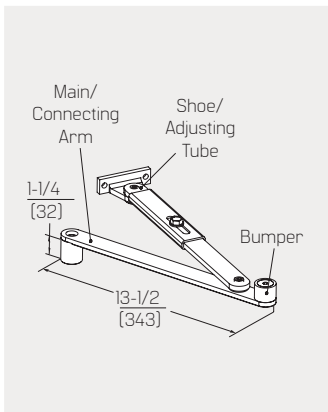
A08 – Complete secured elbow arm non-hold open assembly (0"–4" [0 mm–102 mm] reveal) with 8 mm rod. Optional arm with SL6000 Series closers. Arm is non-handed.
A08P – Parallel round form arm secured elbow non-hold open complete (Tri-Pack) (0"–4" [0 mm–102 mm] reveal). P70

Friction Hold Open Arm



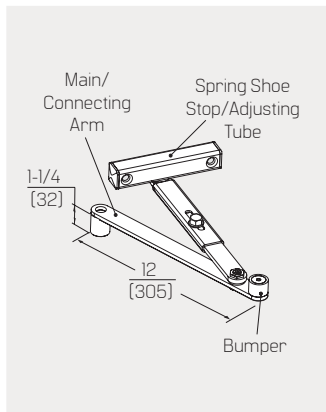
Provides a hold open function between approximately 90° and 180° of door opening (conditions permitting). Arm is non-handed.
FH – Friction hold open arm complete (0"–4" [0 mm–102 mm] reveal).
FHJ – Friction hold open arm complete (4"–8" [102 mm–203 mm] reveal).
FHP – Friction hold open arm complete (Tri-Pack) (0"–4" [0 mm–102 mm] reveal). PHB included.

Cushion IS Arm



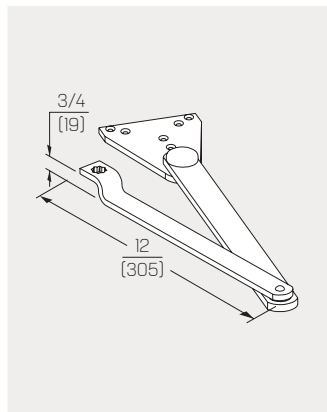
Provides a cushioned opening function for regular and top jamb applications at 85°, 90°, 95°, 100°, 105°, and 110°. Arm is non-handed.
IS – Cushion IS arm complete (0"–3-1/2" [0 mm–89 mm] reveal).
ISJ – Cushion IS top jamb arm complete (3-1/2"–6-1/2" [89 mm–165 mm] reveal).
ISH – Cushion IS hold open arm complete (0"–3-1/2" [0–89 mm] reveal).
ISJH – Cushion IS top jamb hold open arm complete. (3-1/2"–6-1/2" [89 mm–165 mm] reveal).

Spring Stop IS Arm



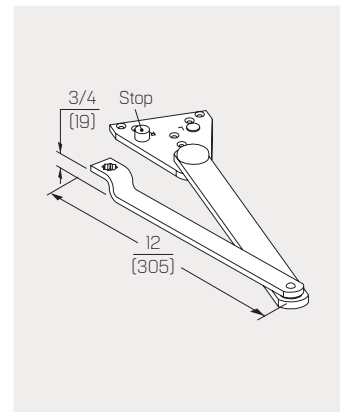
Provides a spring assisted dead stop function for regular and top jamb applications at 85°, 90°, 100°, and 110°. Arm is non-handed.
SIS – Spring assist integra stop arm complete (0"–3-1/2" [0 mm–89 mm] reveal).
SISH – Spring assist integra stop hold open complete (0"–3-1/2" [0 mm–89 mm] reveal).
SISJ – Spring assist top jamb integra stop arm complete (3-1/2"–6-1/2" [89 mm–165 mm] reveal).
SISJH – Spring assist top jamb integra stop hold open arm complete (3-1/2"–6-1/2" [89 mm–165 mm] reveal).

Super Parallel Arm



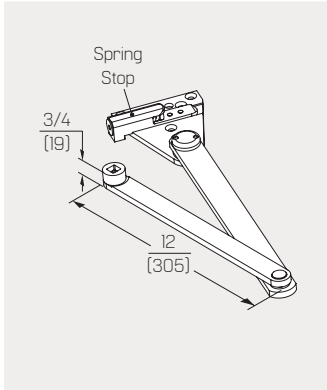
Heavy-duty parallel arm. Available in non-hold open and thumb turn hold open. Units can be installed for maximum opening of 100° or 180°. Hold open units will hold open at 90° or 125°. Maximum opening is 180° (conditions permitting). Arm is non-handed. Non-hold open arm illustrated.
SPA – Super parallel arm non-hold open.
SPAT – Super parallel arm thumb turn hold open.

Door Saver Arm



Heavy-duty parallel arm with integral cushioned opening function. Available in non-hold open, thumb turn hold open, and hex key turn hold open. Units can be installed to achieve either stop or stop and hold open at 85°, 90°, 100°, and 110°. Maximum opening is 110° (conditions permitting). Arm is non-handed. Non-hold open arm illustrated.
DS – Door saver arm non-hold open.
DST – Door saver arm thumb turn hold open.

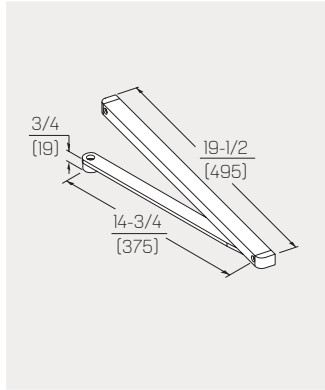
Spring Stop Door Saver Arm



Heavy-duty parallel arm with spring assisted dead stop function. Available in non-hold open and thumb turn hold open. Units can be installed to achieve either stop at 85°, 90°, 100°, and 110° or stop and hold open function. Maximum opening is 110° (conditions permitting). Arm is non-handed. Non-hold open arm illustrated.

SDS – Spring stop door saver arm.
SDST – Spring stop door saver arm thumb turn hold open.

Track Arm

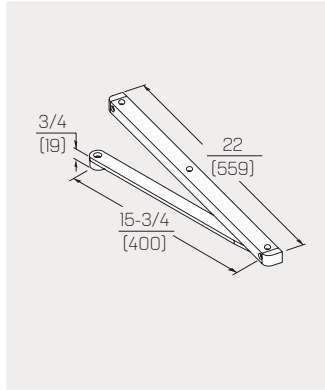


Provides slide track function for improved aesthetics and vandal resistance. Units can be installed to provide 85°, 90°, 110°, or 180° of door opening (conditions and application permitting). Arm is non-handed.

T – Track arm complete. Can be used on pull-side T applications (closer on door, track on frame) and JT applications (track on frame, closer on door). Can also be used with FT flush transom applications (closer on transom, track on door).

TH – Track hold open arm complete. Can be used in same applications as T arm. Range of hold open and maximum opening varies with mounting application.

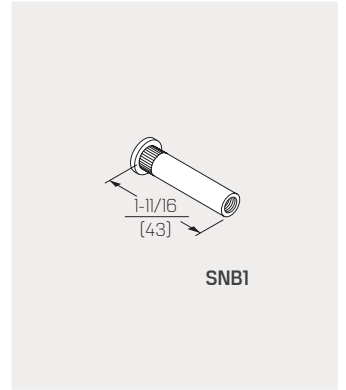
Push Side Track Arm



PT – Push-side track arm complete. Used with PT track applications (closer on door, track on soffit).

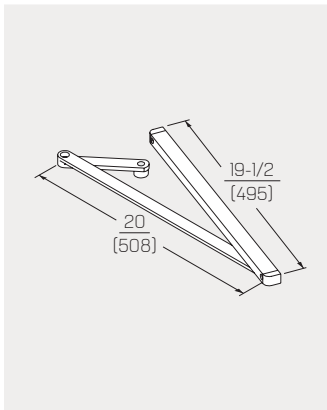
PTH – Push-side track hold open arm complete. Used with PT track applications (closer on door, track on soffit).

Sex Nuts



SNB1 – Included with SNDTPK Sex nuts with machine screws for 1-3/4" [44 mm] door.

TDE Track Arm



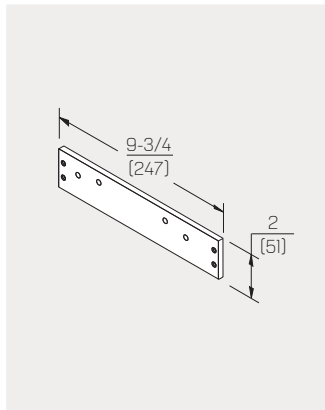
Provides slide track function for pull-side reveal conditions up to 3-1/2". Provides 117° of door opening (conditions permitting). Arm is handed. Also available with hold open option to provide selective single point hold open between 30° and 110°.

Arm requires a minimum 3-3/4" clearance between door face and wall when opened 90° and greater.

TDE – Double egress track arm complete.

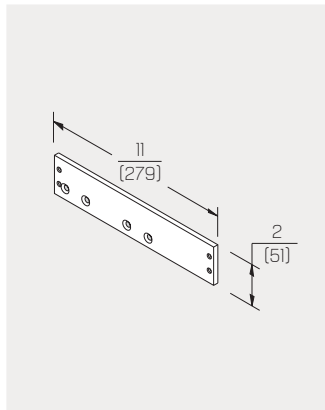
TDEH – Double egress hold open track arm complete.

Backplate



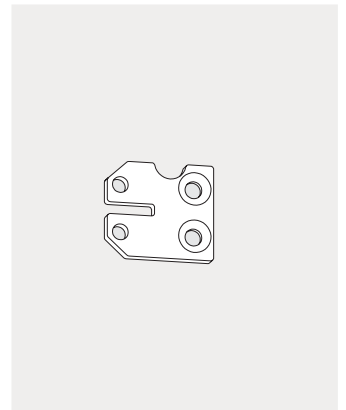
BP60 – For top jamb mount when overhead ceiling clearance is less than 2-1/4" [57 mm]. Can also be used for regular mount to clear a mortised overhead stop/ holder.

Backplate



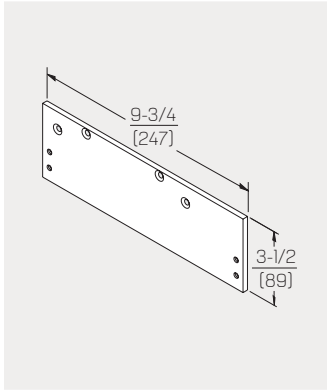
BP60T – For use with pull-side track applications (closer on frame face, track on door) to permit installation on a standard 2" [51 mm] frame face.

Conversion Plate



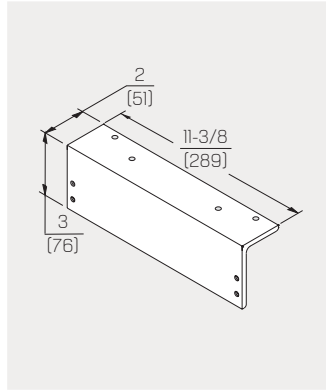
SL640C – For regular, top jamb, or parallel arm mounts. Eliminates the need to remachine the door and frame. Totally concealed when installed. Allows installation of SL6000 to retrofit into any closer with a 9-1/16" × 3/4" hole pattern.

Drop Plate



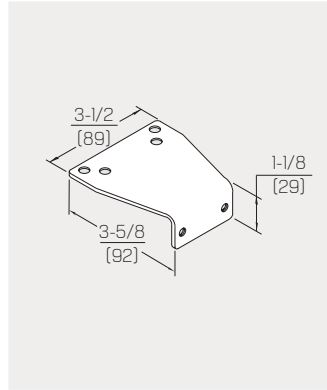
DP60 – For top jamb mount to clear a surface applied stop/holder. Overhead ceiling clearance must be 1-3/4" (44 mm) or more. Permits parallel arm installation with minimum top door rail of 2-1/2" (64 mm) for non-hold open, 2-3/4" (70 mm) for friction hold open applications (assuming 5/8" [16 mm] stop dimension).

Angle Bracket



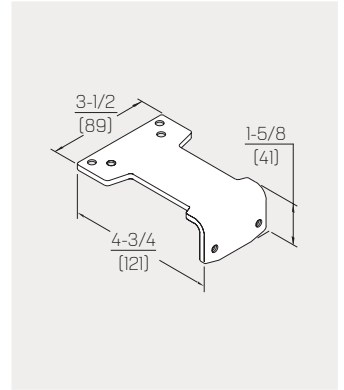
AB60 – For installation of closers where parallel arm and top jamb applications are not practical due to low overhead ceiling clearance, narrow frame face or unusual trim conditions. This bracket can also be used to provide clearance for a surface-applied stop/holder.

Parallel Arm Bracket



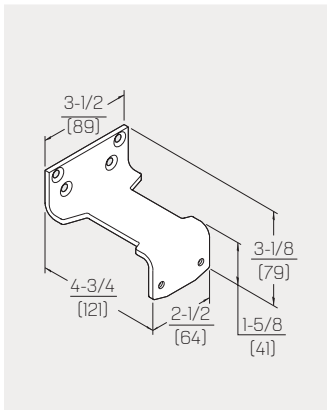
P70 – Furnished standard with SL6000 Series non-hold open parallel arm applications.

Parallel Hold Open Bracket



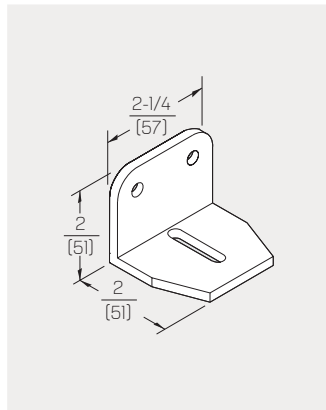
PHB – Furnished standard with SL6000 Series friction hold open parallel arm applications.

Parallel Flush Transom Bracket



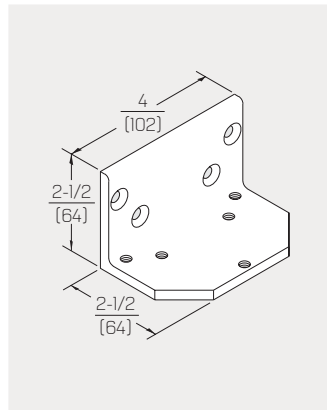
PFT – For all SL6000 Series closer hold open and non-hold open parallel arm applications where flush transom conditions prohibit use of P70 or PHB bracket.

Narrow Frame Bracket



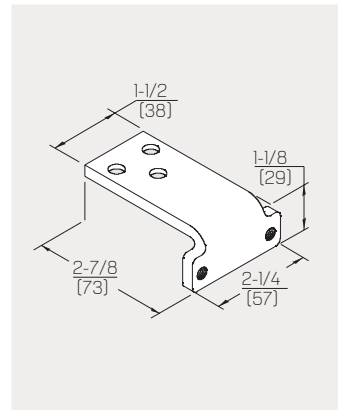
NFHD – For use with all DS and SPA applications where total frame depth is less than 4-1/2" (114 mm), prohibiting use of standard spacer block. NFHD bracket is used in lieu of block supplied with arm.

Flush Transom Bracket



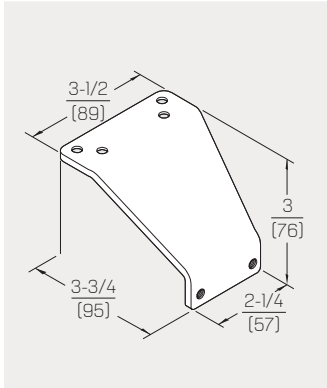
FTHD – For use with all DS and SPA applications where flush transom conditions prohibit normal installation of soffit bracket.

Mortised Jamb Bracket



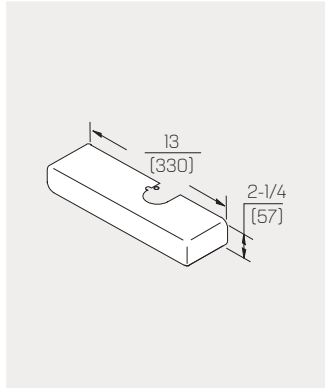
MJ – For SL6000 Series closers with regular mount non-hold open assemblies, where frame conditions will not permit use of the standard foot, e.g. molded or ornate trim. Permits use of parallel arm application between twin communicating doors where limited space prohibits use of the wider P70 bracket.

Parallel Drop Bracket



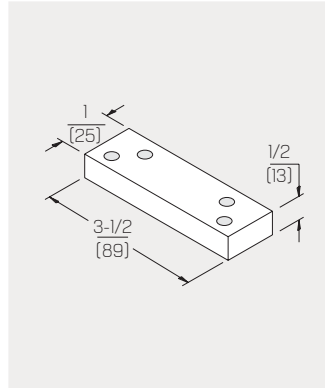
PD – For SL6000 Series closer non-hold open parallel arm applications to clear a surface-applied stop/holder.

Slim Plastic Cover



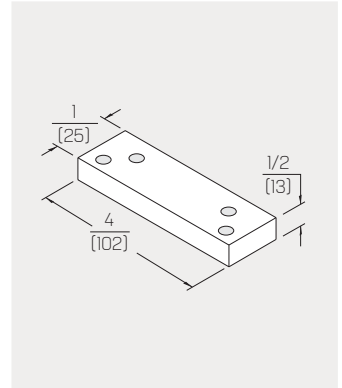
SPC – Optional slim plastic cover.

Blade Stop Spacer



BS – For use with all SL6000 Series P70, PD, and PHB applications installed on cased frames with applied blade stops. This block is used to provide adequate clearance for the blade stop.

Heavy-Duty Blade Stop Spacer



BSTD – For use with all SL6000 Series DS and SPA applications installed on cased frames with applied blade stops. This block is used in conjunction with the spacer furnished with the arm to provide adequate clearance for the blade stop.



CORPORATE HEADQUARTERS

6161 EAST 75TH STREET
INDIANAPOLIS, IN 46250 USA

Phone 855-365-2407

bestaccess.com

For questions about ordering and to be sure you get the right configuration for your needs, [contact your BEST dormakaba sales representative](#).
6161 East 75th Street, Indianapolis, IN 46250 USA | [855-365-2407](tel:855-365-2407) | bestaccess.com