



BEST 
dormakaba Group

BEST Technical Catalog

HD7000

Surface Door Closers



BEST: Setting the Standard for Security

Contents

	Technical Details/Specifications	3
Technical Drawings	Regular × Round Form Arm	4
	Regular × Friction Hold Open	5
	Regular × Plunger Hold Open	5
	Regular × Cushion IS Arm	6
	Regular × Spring Stop IS Arm	6
	Regular Round Form Arm × Backplate	7
	Regular × Mortised Jamb Bracket	8
	Top Jamb Round Form Arm	8
	Top Jamb × Friction Hold Open	9
	Top Jamb × Cushion IS Arm	10
	Top Jamb × Spring Stop IS Arm	11
	Top Jamb × Round Form Arm × Backplate	11
	Top Jamb × Round Form Arm × Drop Plate	12
	Top Jamb × Round Form Arm × Angle Bracket	12
	Parallel Arm × Round Form Arm	13
	Parallel Arm × Friction Hold Open	13
	Parallel Arm × Plunger Hold Open	14
	Parallel Arm × Round Form Arm × DP70 Drop Plate	14
	Parallel Arm × Round Form Arm × Mortised Jamb Bracket	15
	Parallel Arm × Round Form Arm × Parallel Drop Bracket	15
	Parallel Arm × Round Form Arm × Parallel Flush Transom Bracket	16
	Heavy-Duty Super Parallel Arm	16
	Heavy-Duty Parallel Arm Door Saver	17
	Heavy-Duty Super Parallel Arm × Narrow Frame Bracket	17
	Heavy-Duty Parallel Arm Door Saver × Narrow Frame Bracket	18
	Heavy-Duty Super Parallel Arm × Blade Stop Spacer	18
	Heavy-Duty Parallel Arm Door Saver × Blade Stop Spacer	19
	Heavy-Duty Super Parallel Arm × Flush Transom Bracket	19
	Heavy-Duty Parallel Arm Door Saver × Flush Transom Bracket	20
	Heavy-Duty Parallel Arm × Spring Stop Door Saver	20
	Track–Pull Side Door Mounted	21
	Jamb Track–Pull Side Frame Mounted	21
	Push Track–Push Side Soffit Mounted	22
Flush Track–Push Side Door Mounted × Backplate	22	
Track Double Egress–Pull Side Frame Mounted	23	
Accessories	Round Form Arms	24
	Friction Hold Open Arm	24
	Plunger Hold Open Arm	24
	Cushion IS Arm	24
	Spring Stop IS Arm	24
	Super Parallel Arm	24
	TDE Track Arm	25
	Door Saver Arm	25
	Spring Stop Door Saver Arm	25
	Track Arm	25
	Push Side Track Arm	25
	Backplates	25
	Drop Plates	26
	Brackets	26
	Slim Plastic Cover	27
	Full Plastic Cover	27
	Full Metal Cover	27
	Blade Stop Spacer	27
	Heavy-Duty Blade Stop Spacer	27

dormakaba USA quality and environmental management systems in Reamstown, PA and Indianapolis, IN are certified to ISO 9001:2015 and ISO 14001:2015.



Technical Details

- Available for interior and exterior doors. Meets barrier-free requirements (adjustable size 1–6).
- Non-handed for regular, top jamb and parallel arm applications.
- Adjustable backcheck standard. Controls opening motion during abusive or abrupt opening.
- POS backcheck positioning valve (standard) maintains effective backcheck range on parallel arm applications. Valve accessible with closer installed.
- Optional delayed action adjustable with a separate independent valve. Delays door closing to allow unobstructed passage through the opening.
- Full plastic cover standard. Slim and metal optional.
- Designed to minimize change in closing speed during severe temperature changes.
- Aesthetically pleasing and easy to adjust steel flat form arm assembly.
- Full complement of optional arms, plates, and brackets available for special applications.
- SNDTPK standard screw pack includes sex nuts and machine screws for 1 3/4" thick door.
- No slip, octagonal bore spring adjustment standard.
- Self-drilling screws for steel door and frame application (Standard with SNDTPK).
- Self-tapping screws for aluminum door and frame applications (Standard with SNDTPK).

Certifications

- ANSI/BHMA A156.4 Grade 1 certified.
- UL and CUL listed.
- Meets UL10C for positive pressure.
- Meets ANSI/BHMA A117.1 and ADA for barrier-free accessibility.
- CSFM approved.

Specification

The architectural grade HD7000 Series is a non-handed surface applied door closer with adjustable spring power and backcheck positioning adjustment. Adjustable hydraulic backcheck will take effect at approximately 70°. The HD7000 has two independent, noncritical adjustment valves to control sweep and latch closing speeds. The backcheck positioning valve assures an effective ANSI backcheck range on parallel arm applications. All closers to have field adjustable spring power from size 1–6 and meet barrier-free requirements. Closers to have a slim plastic cover and a wide range of arm options. All HD7000 fully adjustable spring force door closers to include an integral design to positively stop adjustment of the spring at the minimum and maximum spring force settings.

Optional Specifications

The HD7000 Series closer will have delayed action (DA). Delayed action range will be effective from maximum opening to approximately 65°. All HD7000 closers to have full metal (MC) or full plastic (FPC) cover. Closers to have self-drilling screws for steel doors and frames. Closers to have self-tapping screws for aluminum doors and frames (SNDTPK). Closers to have TORX security for all exposed fasteners (TX70).

Finishes

Standard Sprayed Finishes

- **Aluminum:** 689
- **Bronze:** 691 (Dull), 690 (Statuary), or 695 (Dark Duranodic)
- **Gold:** 696
- **Black:** 693

Optional BEST Custom Color or Designer Color Finishes: Contact Customer Service.

Optional Plated/Architectural Finishes

- **Brass:** 605 (Bright) or 606 (Satin)
- **Bronze:** 611 (Bright), 612 (Satin), or 613 (Oxidized Satin Oil Rubbed)
- **Nickel:** 618 (Bright) or 619 (Satin)
- **Chrome:** 625 (Bright) or 626 (Satin)
- **Stainless:** 630 (Satin)

Warranty

For details, refer to Limited Warranty on our website at BESTACCESS.com.

REDUCED OPENING FORCE INSTALLATIONS CAUTION
Manual door closers, including those certified to meet ANSI/BHMA A156.4, when installed and adjusted to conform to ADA or other reduced opening force requirements, may not provide sufficient power to reliably close and latch a door.

Refer to catalog for Low Energy Operators to meet reduced opening force requirements without affecting closing power.

Features	HD7000
Spring size (shipped as size 4)	1–6
Non-handed	•
Parallel arm bracket	•
Full line of specialty function arms and plates	•
Backcheck positioning adjustment (POS)	•
Controlled closing with two adjustment valves	180°–10° 10°–0°
Backcheck	•
Delayed action	•
Hold open	•
SNBI sex nuts for 1-3/4" thick doors included Self-drilling screws & Self-tapping screws	•
Tamper-resistant TORX screws	•
Slim plastic, handed full metal cover	•
Full plastic	•

• standard • optional



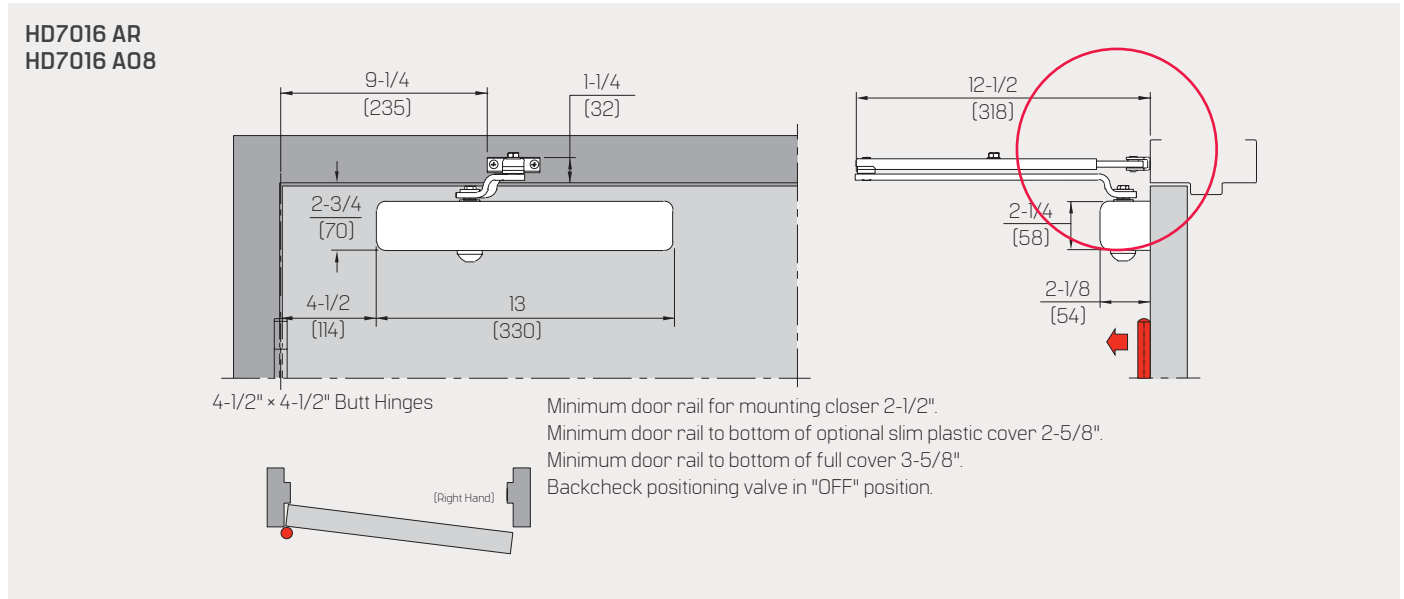
Regular × Round Form Arm

Technical Drawings

Technical Drawing Symbols & Notes

•	Recommended application
N/A	Not applicable/application not recommended
♿	Opening force 5 lb or less on interior doors

NOTE: The backcheck positioning adjustment is specifically designed for parallel arm applications. It advances the backcheck to an approximate ANSI range similar to regular and top jamb applications. The backcheck range(s) within each parallel arm technical drawing reflect an on status. Regular, top jamb, and track ranges reflect an off status. The HD7000 Series closer is shipped with the backcheck positioning valve on.

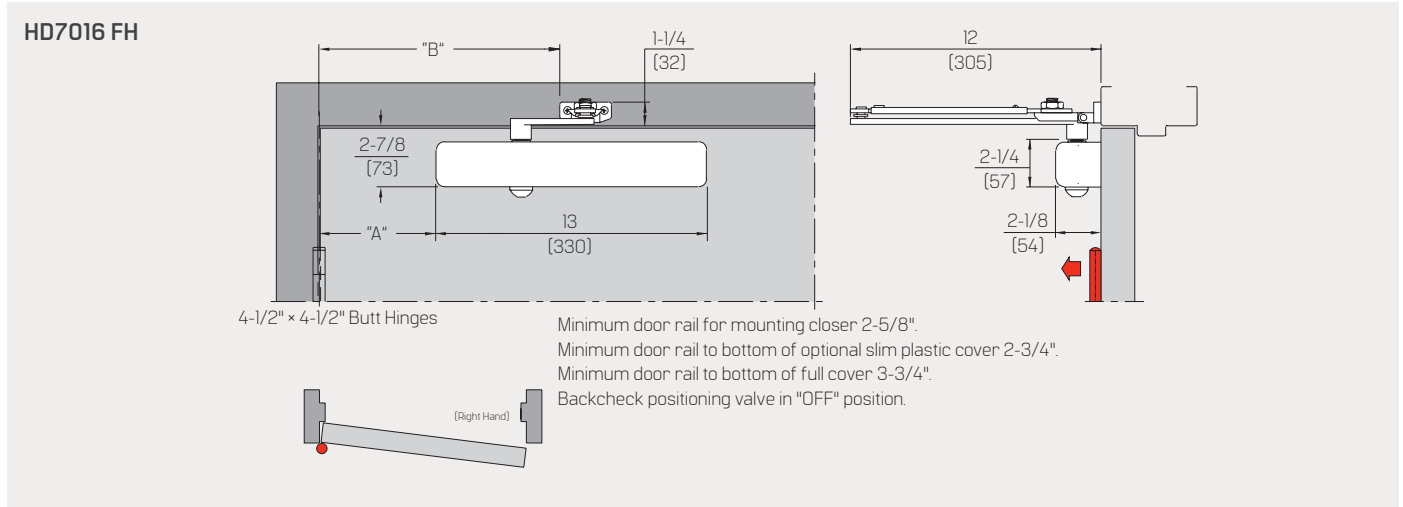


Size Selection Chart

Interior/ Exterior	Door Width					
	2'-0" min.	2'-6" max.	3'-0" max.	3'-6" max.	4'-0" max.	4'-6" max.
Interior	•	•	♿	•	•	•
Exterior	•	•	•	•	•	N/A

Maximum Opening	*Approximate Backcheck	Approximate Delayed Action
180°	65°-180°	180°-65°

*Backcheck is advanced approximately 15° with positioning valve on.



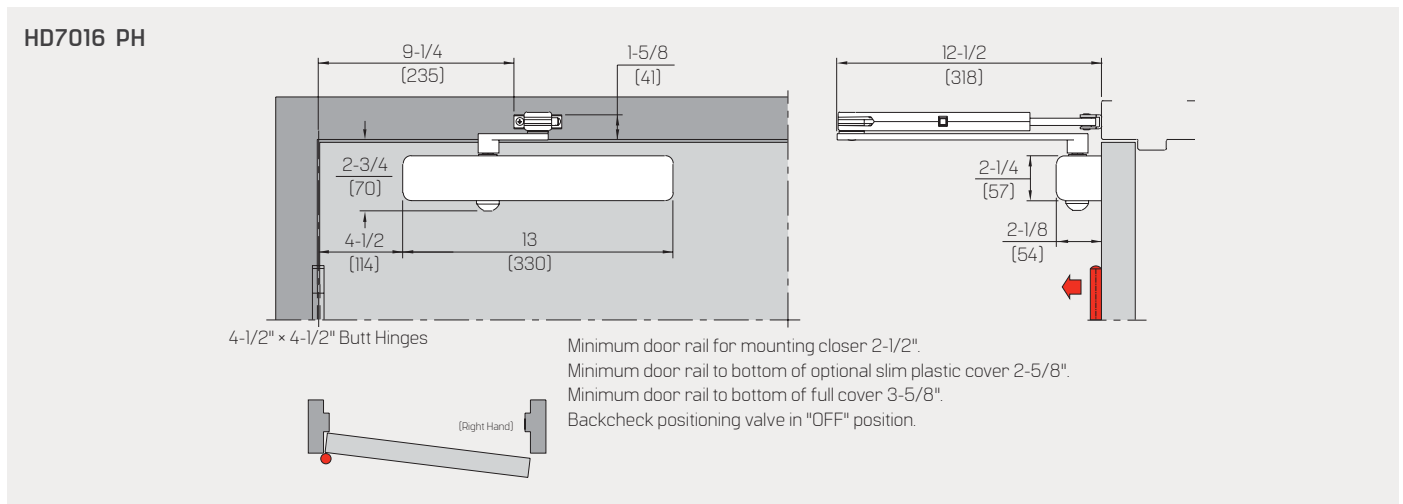
Size Selection Chart

Interior/ Exterior	Door Width					
	2'-0" min.	2'-6" max.	3'-0" max.	3'-6" max.	4'-0" max.	4'-6" max.
Interior	.	.	⊗	.	.	.
Exterior	N/A

Template Ref.	Dim "A"	Dim "B"	Approximate Maximum Opening	*Approximate Backcheck	Approximate Delayed Action	Min. Hold Open	Max. Hold Open
To 100°	7" (178)	12-5/8" (321)	110°	65°-110°	110°-65°	80°	110°
100°-120°	6" (152)	11-5/8" (295)	125°	70°-125°	125°-70°	90°	125°
Over 120°	3-1/2" (89)	9-1/8" (232)	180°	85°-180°	180°-85°	100°	165°

*Backcheck is advanced approximately 15° with positioning valve on.

Regular * Plunger Hold Open



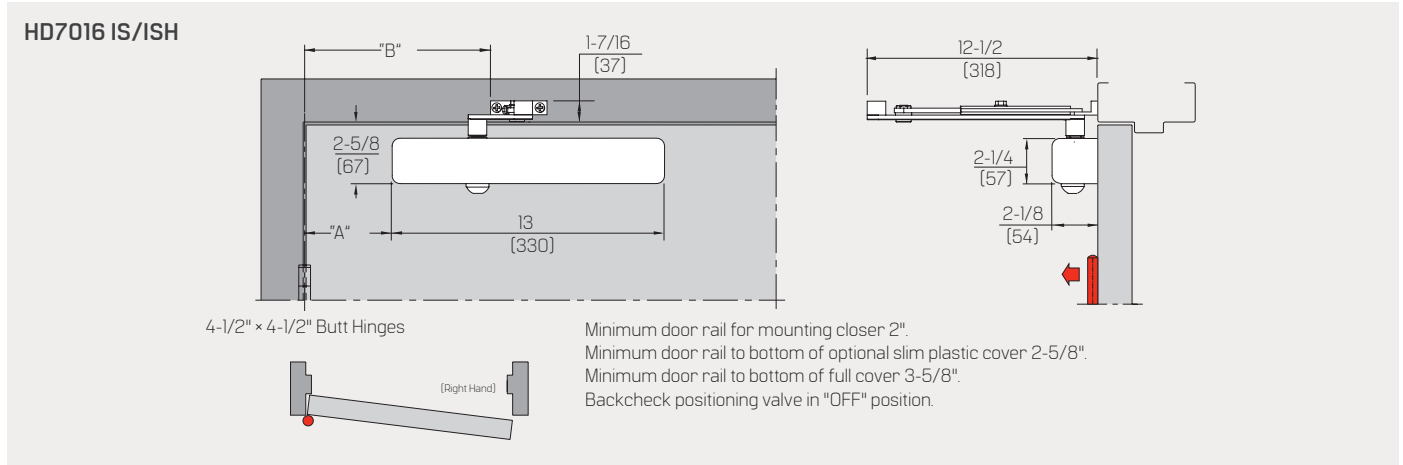
Size Selection Chart

Interior/ Exterior	Door Width					
	2'-0" min.	2'-6" max.	3'-0" max.	3'-6" max.	4'-0" max.	4'-6" max.
Interior	.	.	⊗	.	.	.
Exterior	N/A

Maximum Opening	*Approximate Backcheck	Approximate Delayed Action	Minimum Hold Open	Maximum Hold Open
180°	65°-180°	180°-65°	30°	140°

*Backcheck is advanced approximately 15° with positioning valve on.

Regular * Cushion IS Arm



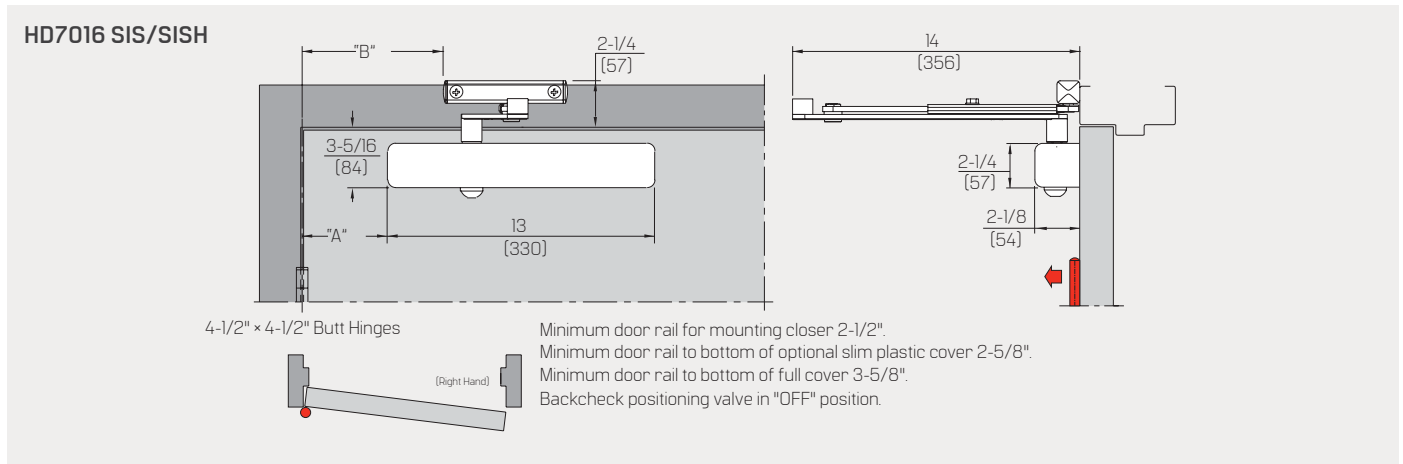
Size Selection Chart

Interior/ Exterior	Door Width					
	2'-0" min.	2'-6" max.	3'-0" max.	3'-6" max.	4'-0" max.	4'-6" max.
Interior	.	.	⊕	.	.	.
Exterior	N/A

Template Ref.	Dim "A"	Dim "B"	"Cushion/ Hold Open	*Approximate Backcheck	Approximate Delayed Action
85°	7-11/16" [195]	13-7/8" [352]	85°	55°-85°	85°-55°
90°	7" [178]	13-1/2" [343]	90°	60°-90°	90°-60°
95°	6-3/16" [157]	13-1/4" [337]	95°	65°-95°	95°-65°
100°	6-1/8" [156]	12-5/8" [321]	100°	70°-100°	100°-70°
105°	5-11/16" [144]	12-1/4" [311]	105°	75°-105°	105°-75°
110°	5-1/4" [133]	11-7/8" [302]	110°	75°-110°	110°-75°

*Backcheck is advanced approximately 15° with positioning valve on.
 **Hold open is approximately 5°-7° less than the cushion angle listed in the chart.

Regular * Spring Stop IS Arm



Size Selection Chart

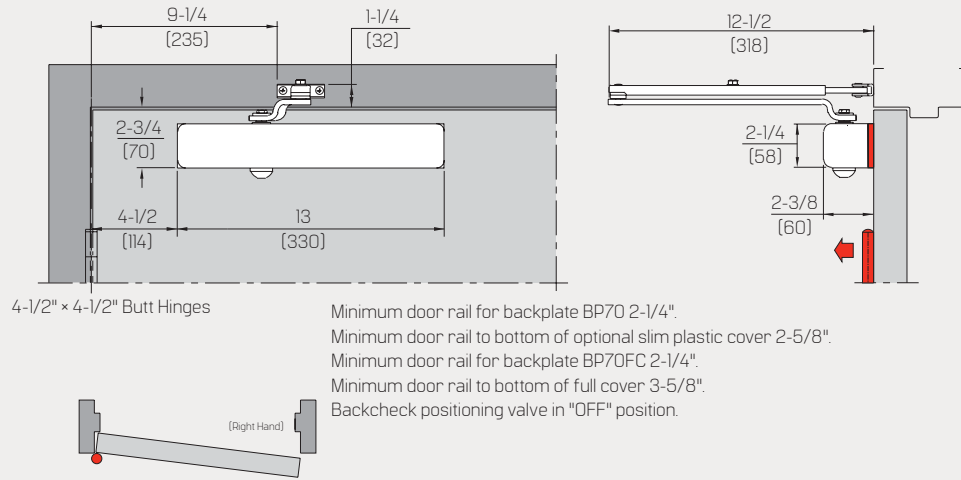
Interior/ Exterior	Door Width					
	2'-0" min.	2'-6" max.	3'-0" max.	3'-6" max.	4'-0" max.	4'-6" max.
Interior	.	.	⊕	.	.	.
Exterior	N/A

Template Ref.	Dim "A"	Dim "B"	**Dead Stop/ Hold Open	*Approximate Backcheck	Approximate Delayed Action
85°	9-1/4" [235]	11-9/16" [294]	85°	55°-85°	85°-55°
90°	8-3/8" [212]	11-1/16" [281]	90°	60°-90°	90°-60°
100°	7-3/8" [188]	10-1/16" [256]	100°	70°-100°	100°-70°
110°	6-5/8" [169]	9-5/16" [237]	110°	75°-110°	110°-75°

*Backcheck is advanced approximately 15° with positioning valve on.
 **Hold open is approximately 5°-7° less than the dead stop angle listed in the chart.

Regular Round Form Arm × Backplate

HD7016 AR BP70
HD7016 A08 BP70



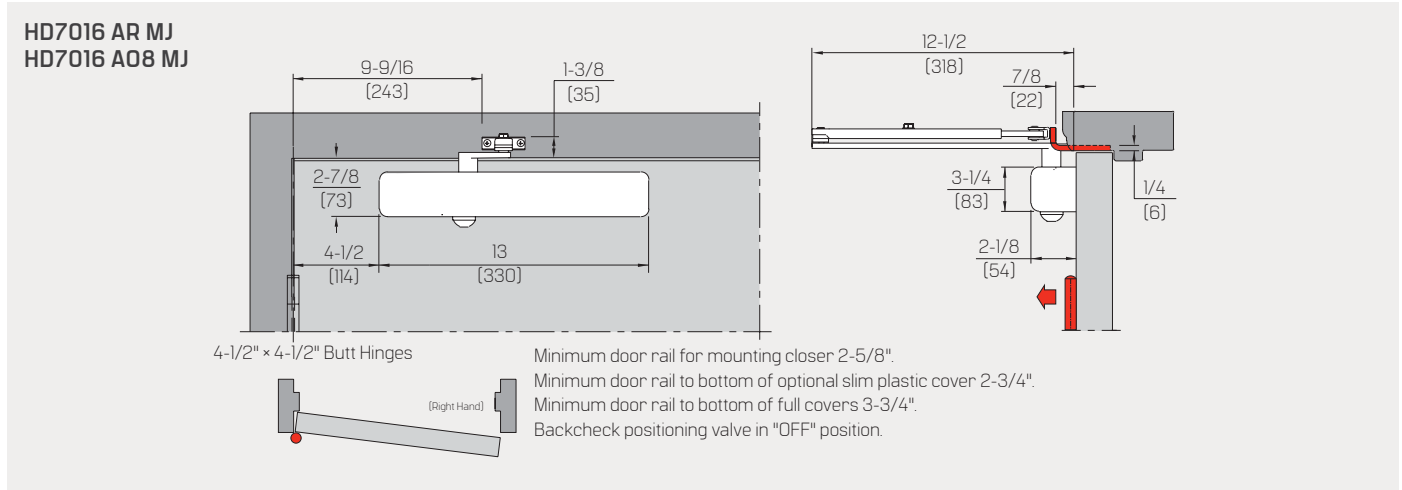
Size Selection Chart

Interior/ Exterior	Door Width					
	2'-0" min.	2'-6" max.	3'-0" max.	3'-6" max.	4'-0" max.	4'-6" max.
Interior	•	•	•	•	•	•
Exterior	•	•	•	•	•	N/A

Maximum Opening	*Approximate Backcheck	Approximate Delayed Action
180°	65°-180°	180°-65°

*Backcheck is advanced approximately 15° with positioning valve on.

Regular * Mortised Jamb Bracket



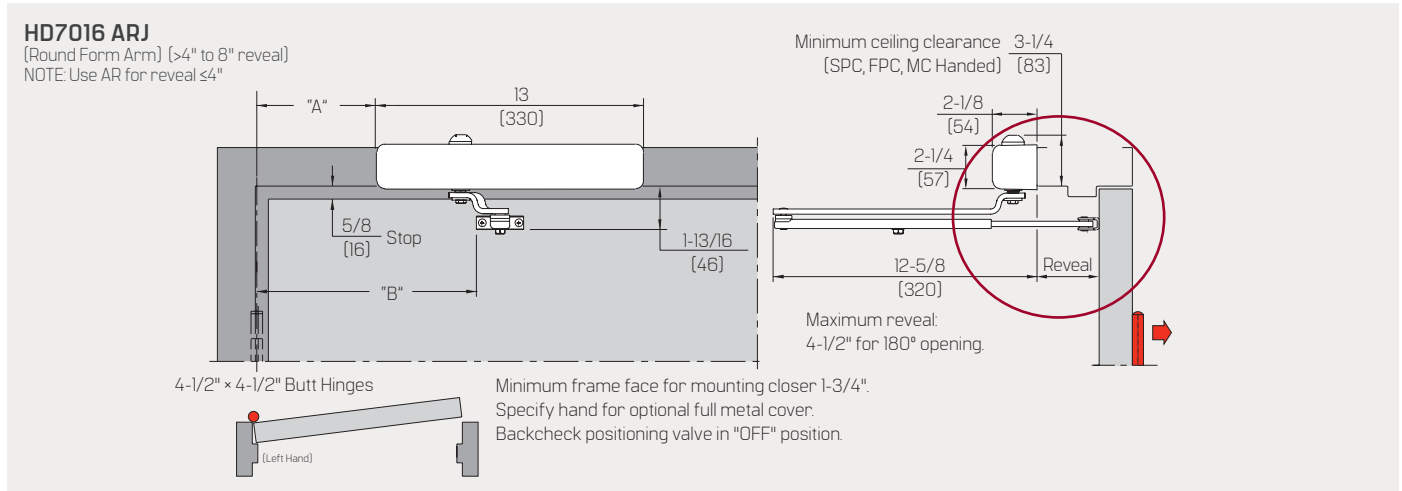
Size Selection Chart

Interior/ Exterior	Door Width					
	2'-0" min.	2'-6" max.	3'-0" max.	3'-6" max.	4'-0" max.	4'-6" max.
Interior	.	.	⊗	.	.	.
Exterior	.	.	⊗	.	.	N/A

Maximum Opening	*Approximate Backcheck	Approximate Delayed Action
180°	65°-180°	180°-65°

*Backcheck is advanced approximately 15° with positioning valve on.

Top Jamb Round Form Arm



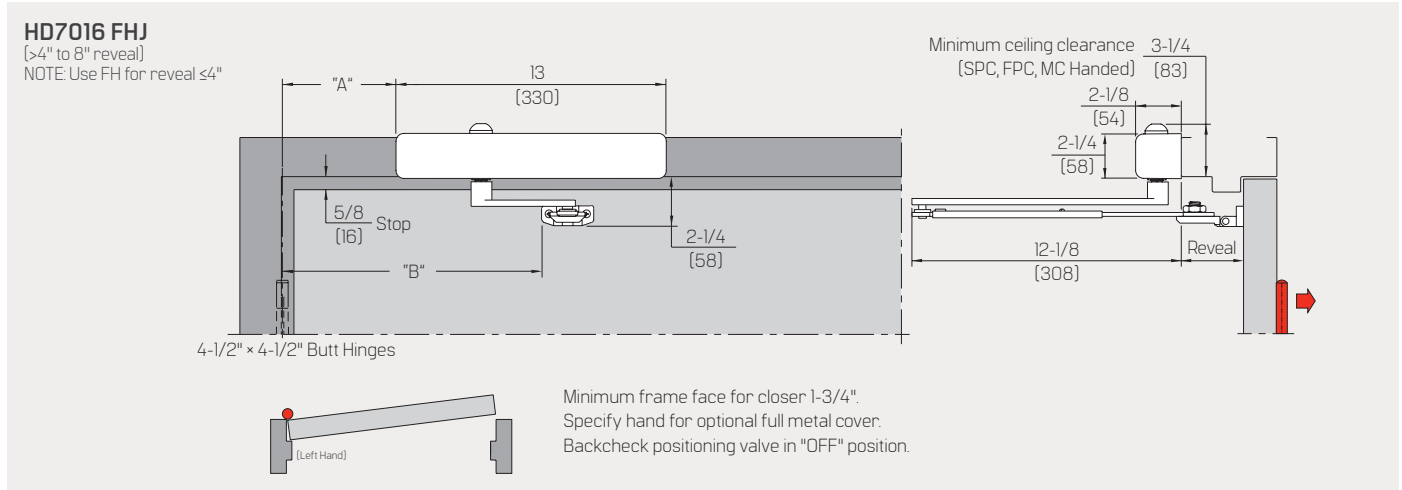
Size Selection Chart

Interior/ Exterior	Door Width					
	2'-0" min.	2'-6" max.	3'-0" max.	3'-6" max.	4'-0" max.	4'-6" max.
Interior	.	.	⊗	.	.	.
Exterior	N/A

Template Ref.	Dim "A"	Dim "B"	Reveal	Arm		Approx. Maximum Opening	*Approx. Backcheck	Approx. Delayed Action
To 180°	4-1/2" [114]	9-1/4" [235]	0"	AF86	AR	180°	70°-180°	180°-70°
			4"	AF86	AR	180°	75°-180°	180°-75°
To 180°	4-1/2" [114]	9-1/4" [235]	>4"	AF86J	ARJ	180°	75°-180°	180°-75°
			8"	AF86J	ARJ	165°	80°-165°	165°-80°

*Backcheck is advanced approximately 15° with positioning valve on.
NOTE: **Bold type** shows supplied arm.

Top Jamb × Friction Hold Open

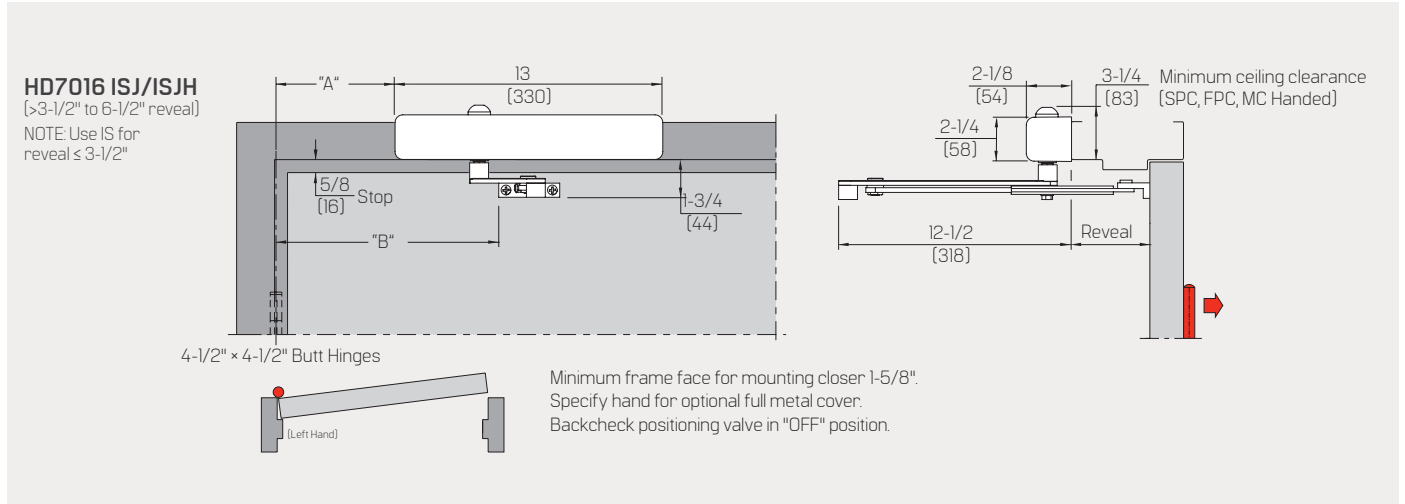


Size Selection Chart

Interior/ Exterior	Door Width					
	2'-0" min.	2'-6" max.	3'-0" max.	3'-6" max.	4'-0" max.	4'-6" max.
Interior	•	•	•	•	•	•
Exterior	•	•	•	•	•	N/A

Template Ref.	Dim "A"	Dim "B"	Reveal	Arm	Approx. Maximum Opening	*Approx. Backcheck	Approx. Delayed Action	Min. Hold Open	Max. Hold Open
To 100°	7-1/2" (190)	13-1/8" (333)	0"	FH	110°	70°-110°	110°-70°	70°	105°
			4"	FH	105°	75°-105°	105°-75°	70°	100°
			>4"	FHJ	105°	75°-105°	105°-75°	70°	100°
			8"	FHJ	100°	80°-100°	110°-80°	70°	95°
To 120°	6" (152)	11-5/8" (295)	0"	FH	125°	75°-125°	125°-75°	75°	120°
			4"	FH	120°	80°-120°	120°-80°	75°	115°
			>4"	FHJ	120°	80°-120°	120°-80°	75°	115°
			8"	FHJ	115°	85°-115°	115°-85°	75°	110°
Over 120°	3-1/2" (89)	9-1/8" (232)	0"	FH	180°	85°-180°	180°-85°	80°	170°
			4"	FH	180°	90°-180°	180°-90°	80°	170°
			>4"	FHJ	180°	90°-180°	180°-90°	80°	170°
			8"	FHJ	165°	100°-165°	165°-100°	85°	155°

*Backcheck is advanced approximately 15° with positioning valve on.
 NOTE: **Bold type** shows supplied arm.



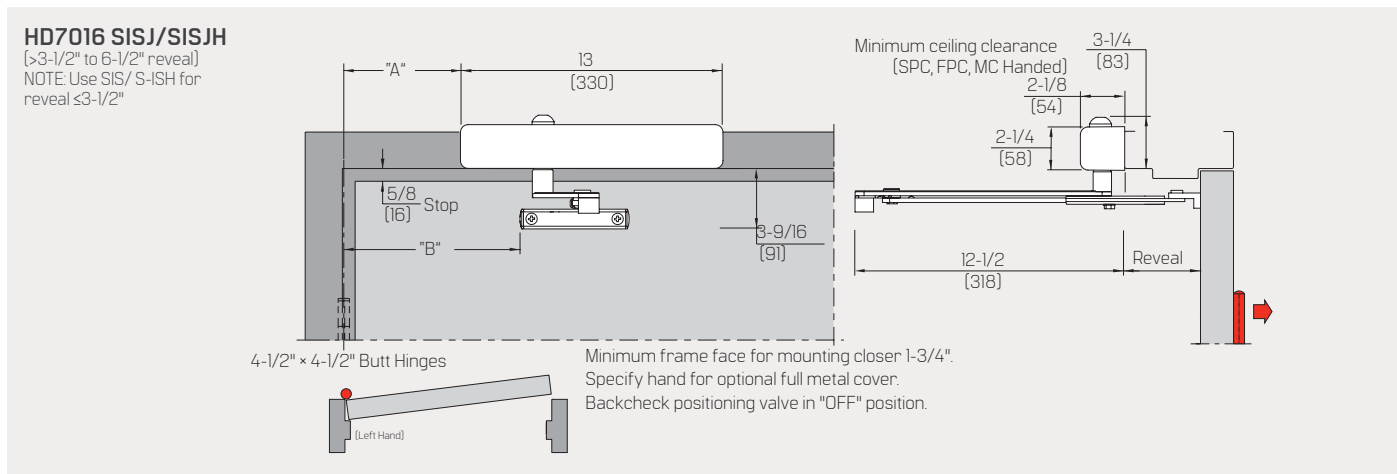
Size Selection Chart

Interior/ Exterior	Door Width					
	2'-0" min.	2'-6" max.	3'-0" max.	3'-6" max.	4'-0" max.	4'-6" max.
Interior	•	•	•	•	•	•
Exterior	•	•	•	•	•	N/A

Template Ref.	Dim "A"	Dim "B"	Reveal	Arm	**Cushion/ Hold Open	*Approx. Backcheck	Approx. Delayed Action
85°	6-1/2" [165]	12-5/8" [321]	0"-3-1/2"	IS	85°	55°-85°	85°-55°
			>3-1/2"-6-1/2"	ISJ	85°	55°-85°	85°-55°
90°	5-3/4" [146]	12-1/8" [308]	0"-3-1/2"	IS	90°	60°-90°	90°-60°
			>3-1/2"-6-1/2"	ISJ	90°	60°-90°	90°-60°
95°	5-1/2" [140]	11-3/4" [298]	0"-3-1/2"	IS	95°	65°-95°	95°-65°
			>3-1/2"-6-1/2"	ISJ	95°	65°-95°	95°-65°
100°	5-1/4" [133]	11-1/4" [286]	0"-3-1/2"	IS	100°	70°-100°	100°-70°
			>3-1/2"-6-1/2"	ISJ	100°	70°-100°	100°-70°
105°	5" [127]	11" [279]	0"-3-1/2"	IS	105°	75°-105°	105°-75°
			>3-1/2"-6-1/2"	ISJ	105°	75°-105°	105°-75°
110°	4-3/4" [121]	10-3/4" [273]	0"-3-1/2"	IS	110°	75°-110°	110°-75°
			>3-1/2"-6-1/2"	ISJ	110°	75°-110°	110°-75°

*Backcheck is advanced approximately 15° with positioning valve on.
 **Hold open is approximately 5°-7° less than the cushion angle listed in the chart.
 NOTE: **Bold type** shows supplied arm.

Top Jamb × Spring Stop IS Arm



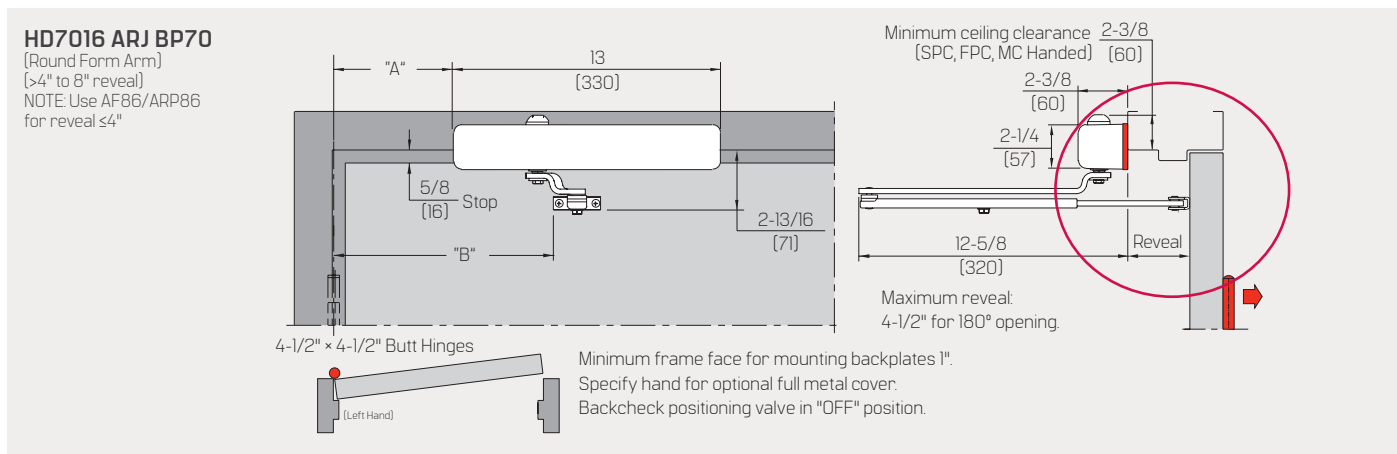
Size Selection Chart

Interior/ Exterior	Door Width					
	2'-0" min.	2'-6" max.	3'-0" max.	3'-6" max.	4'-0" max.	4'-6" max.
Interior	•	•	⊗	•	•	•
Exterior	•	•	•	•	•	N/A

Template Ref.	Dim "A"	Dim "B"	Reveal	Arm	**Cushion/ Hold Open	*Approx. Backcheck	Approx. Delayed Action
85°	8-3/8" (213)	11-1/16" (281)	0"-3-1/2"	SIS	85°	55°-85°	85°-55°
			>3-1/2"-6-1/2"	SISJ	85°	55°-85°	85°-55°
90°	7-3/4" (197)	10-7/16" (266)	0"-3-1/2"	SIS	90°	60°-90°	90°-60°
			>3-1/2"-6-1/2"	SISJ	90°	60°-90°	90°-60°
100°	6-7/8" (175)	9-9/16" (243)	0"-3-1/2"	SIS	100°	70°-100°	100°-70°
			>3-1/2"-6-1/2"	SISJ	100°	70°-100°	100°-70°
110°	6-1/4" (159)	8-15/16" (227)	0"-3-1/2"	SIS	110°	75°-110°	110°-75°
			>3-1/2"-6-1/2"	SISJ	110°	75°-110°	110°-75°

*Backcheck is advanced approximately 15" with positioning valve on.
 **Hold open is approximately 5°-7° less than the cushion angle listed in the chart.
 NOTE: **Bold type** shows supplied arm.

Top Jamb × Round Form Arm × Backplate



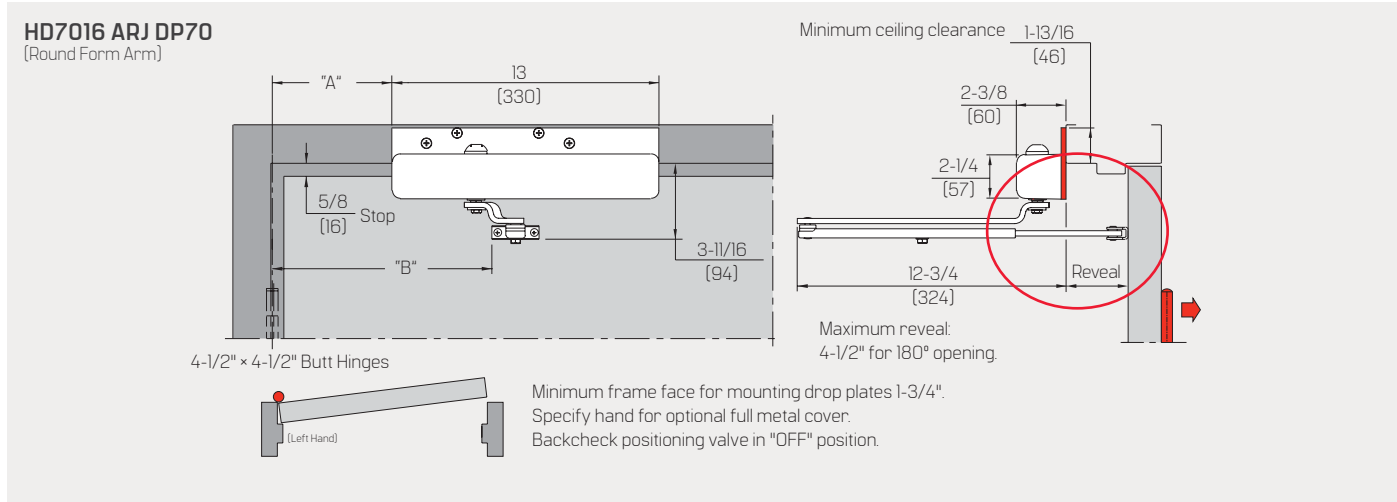
Size Selection Chart

Interior/ Exterior	Door Width					
	2'-0" min.	2'-6" max.	3'-0" max.	3'-6" max.	4'-0" max.	4'-6" max.
Interior	•	•	⊗	•	•	•
Exterior	•	•	•	•	•	N/A

Template Ref.	Dim "A"	Dim "B"	Reveal	Arm	Approx. Maximum Opening	*Approx. Backcheck	Approx. Delayed Action	
To 180°	4-1/2" (114)	9-1/4" (235)	0"	AF	AR	180°	70°-180°	180°-70°
			4"	AF	AR	180°	75°-180°	180°-75°
To 180°	4-1/2" (114)	9-1/4" (235)	>4"	AFJ	ARJ	180°	75°-180°	180°-75°
			8"	AFJ	ARJ	165°	80°-165°	165°-80°

*Backcheck is advanced approximately 15" with positioning valve on.
 NOTE: **Bold type** shows supplied arm.

Top Jamb × Round Form Arm × Drop Plate



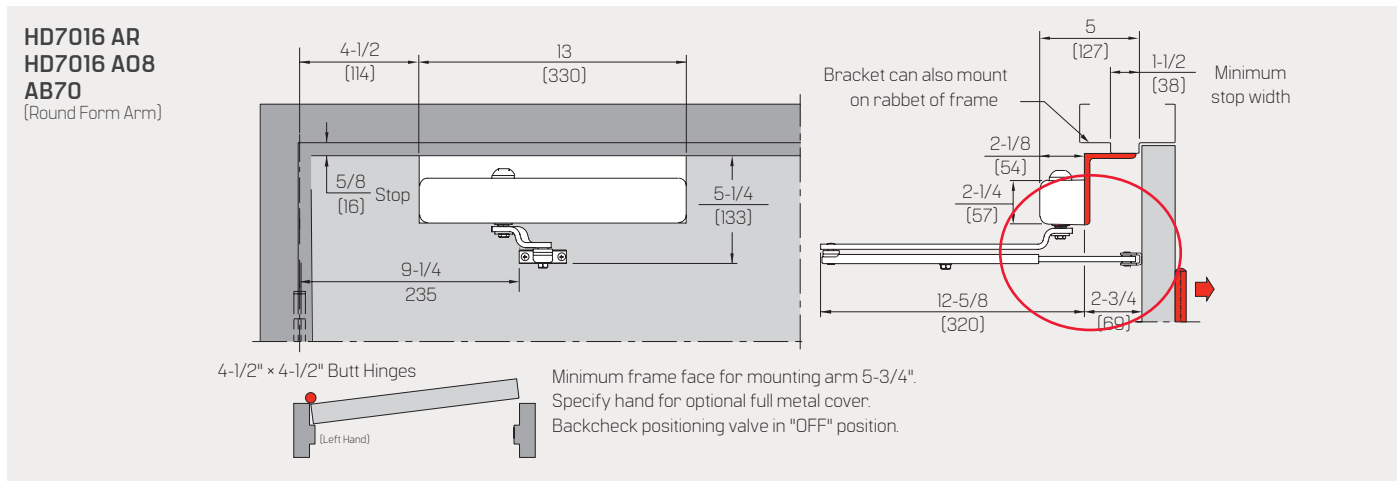
Size Selection Chart

Interior/ Exterior	Door Width					
	2'-0" min.	2'-6" max.	3'-0" max.	3'-6" max.	4'-0" max.	4'-6" max.
Interior	•	•	⊘	•	•	•
Exterior	•	•	•	•	•	N/A

Template Ref.	Dim "A"	Dim "B"	Reveal	Arm	Approx. Maximum Opening	*Approx. Backcheck	Approx. Delayed Action	
To 180°	4-1/2" [114]	9-1/4" [235]	0"	AF	AR	180°	70°–180°	180°–70°
			4"	AF	AR	180°	75°–180°	180°–75°
To 180°	4-1/2" [114]	9-1/4" [235]	4"	AFJ	ARJ	180°	75°–180°	180°–75°
			8"	AFJ	ARJ	165°	80°–165°	165°–80°

*Backcheck is advanced approximately 15° with positioning valve on.
NOTE: **Bold type** shows supplied arm.

Top Jamb × Round Form Arm × Angle Bracket



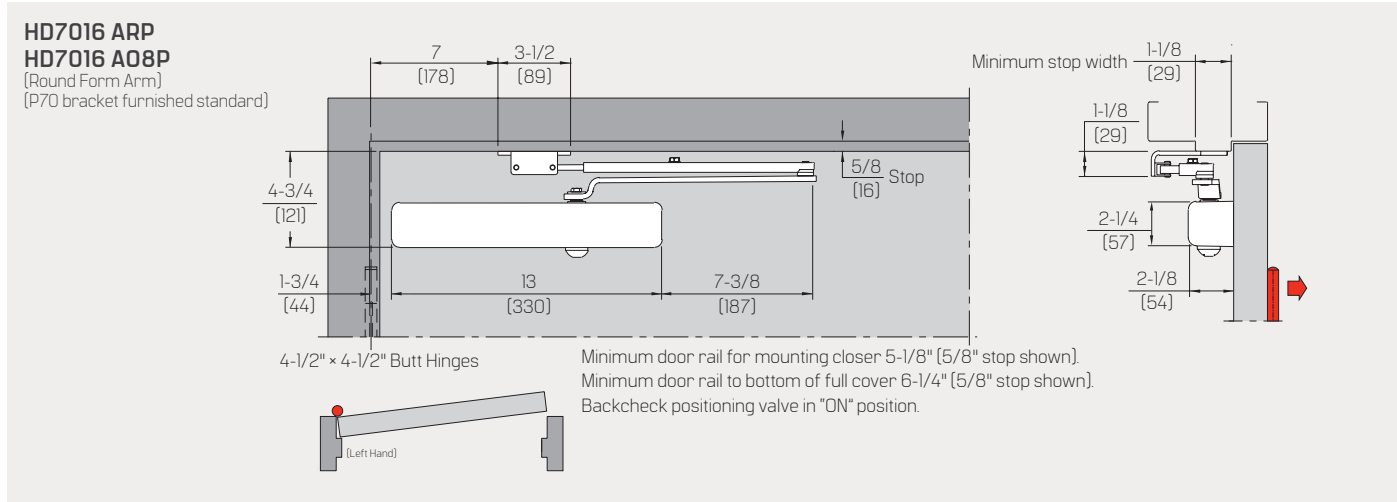
Size Selection Chart

Interior/ Exterior	Door Width					
	2'-0" min.	2'-6" max.	3'-0" max.	3'-6" max.	4'-0" max.	4'-6" max.
Interior	•	•	⊘	•	•	•
Exterior	•	•	•	•	•	N/A

Maximum Opening	*Approximate Backcheck	Approximate Delayed Action
180°	70°–180°	180°–70°

*Backcheck is advanced approximately 15° with positioning valve on.

Parallel Arm × Round Form Arm

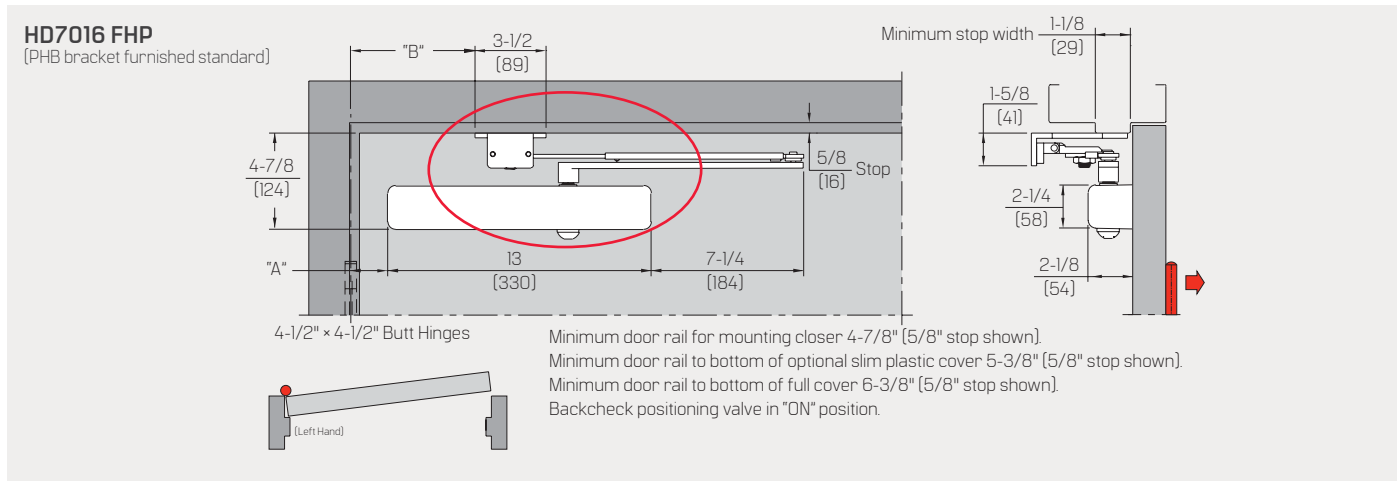


Size Selection Chart

Interior/ Exterior	Door Width				
	2'-0" min.	2'-6" max.	3'-0" max.	3'-6" max.	4'-0" max.
Interior	•	•	•	•	•
Exterior	•	•	•	•	N/A

Maximum Opening	Approximate Backcheck	Approximate Delayed Action	Minimum Door Width
180°	60–180°	180°–75°	24"

Parallel Arm × Friction Hold Open



Size Selection Chart

Interior/ Exterior	Door Width				
	2'-0" min.	2'-6" max.	3'-0" max.	3'-6" max.	4'-0" max.
Interior	•	•	•	•	•
Exterior	•	•	•	•	N/A

Template Ref.	Dim "A"	Dim "B"	Approx. Maximum Opening	Approx. Backcheck	Approx. Delayed Action	Min. Hold Open	Max. Hold Open	Min. Door Width
To 100°	3-5/8" [92]	9" [228]	110°	65°–110°	110°–80°	45°	105°	29"
Over 100°	1-1/8" [29]	6-1/2" [165]	180°	80°–180°	180°–95°	45°	175°	24"

Parallel Arm * Plunger Hold Open

HD7016 PHP
(P70 bracket furnished standard)

4-1/2" x 4-1/2" Butt Hinges

Minimum door rail for mounting closer 5-1/4" [5/8" stop shown].
Minimum door rail to bottom of optional slim plastic cover 5-3/8" [5/8" stop shown].
Minimum door rail to bottom of full cover 6-3/8" [5/8" stop shown].
Backcheck positioning valve in "ON" position.

Size Selection Chart

Interior/ Exterior	Door Width				
	2'-0" min.	2'-6" max.	3'-0" max.	3'-6" max.	4'-0" max.
Interior	.	.	⊗	.	.
Exterior	N/A

Maximum Opening	Approximate Backcheck	Approximate Delayed Action	Minimum Hold Open	Maximum Hold Open	Minimum Door Width
180°	60°-180°	180°-75°	30°	130°	24"

Parallel Arm * Round Form Arm * DP70 Drop Plate

HD7016 ARP DP70
HD7016 A08P DP70
(P70 bracket furnished standard)

4-1/2" x 4-1/2" Butt Hinges

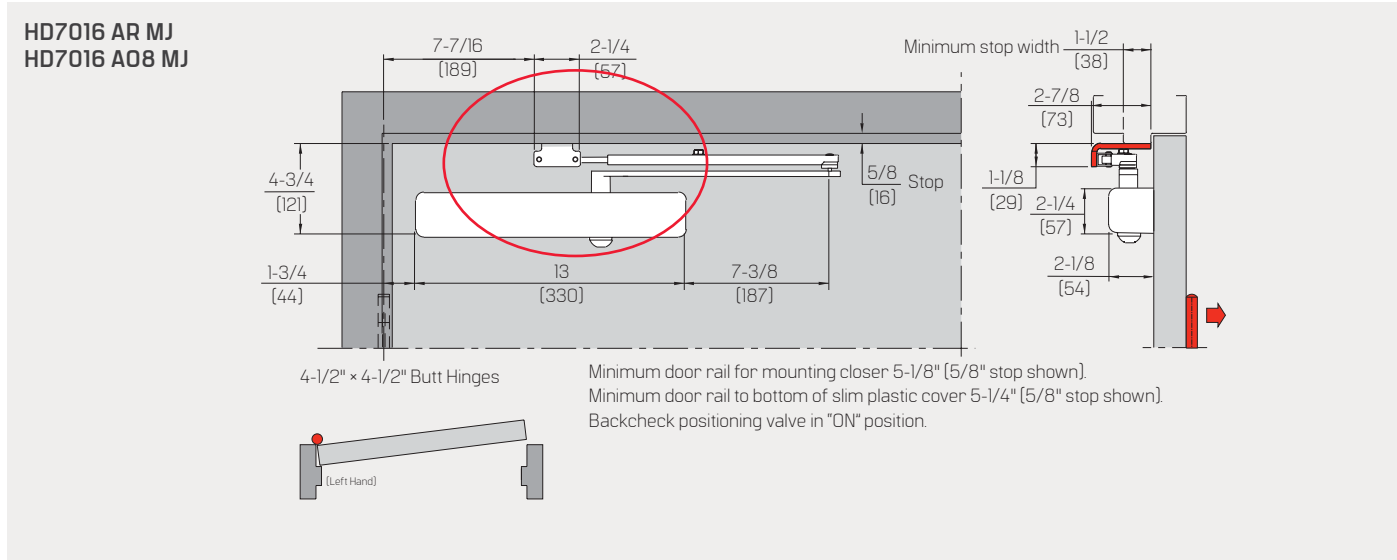
Minimum door rail for mounting drop plate 2-3/4" [5/8" stop shown].
Minimum door rail to bottom of standard full cover. Optional slim pictured 6-1/4" [5/8" stop shown].
Backcheck positioning valve in "ON" position.

Size Selection Chart

Interior/ Exterior	Door Width				
	2'-0" min.	2'-6" max.	3'-0" max.	3'-6" max.	4'-0" max.
Interior	.	.	⊗	.	.
Exterior	N/A

Maximum Opening	Approximate Backcheck	Approximate Delayed Action	Minimum Door Width
180°	60°-180°	180°-75°	24"

Parallel Arm * Round Form Arm * Mortised Jamb Bracket

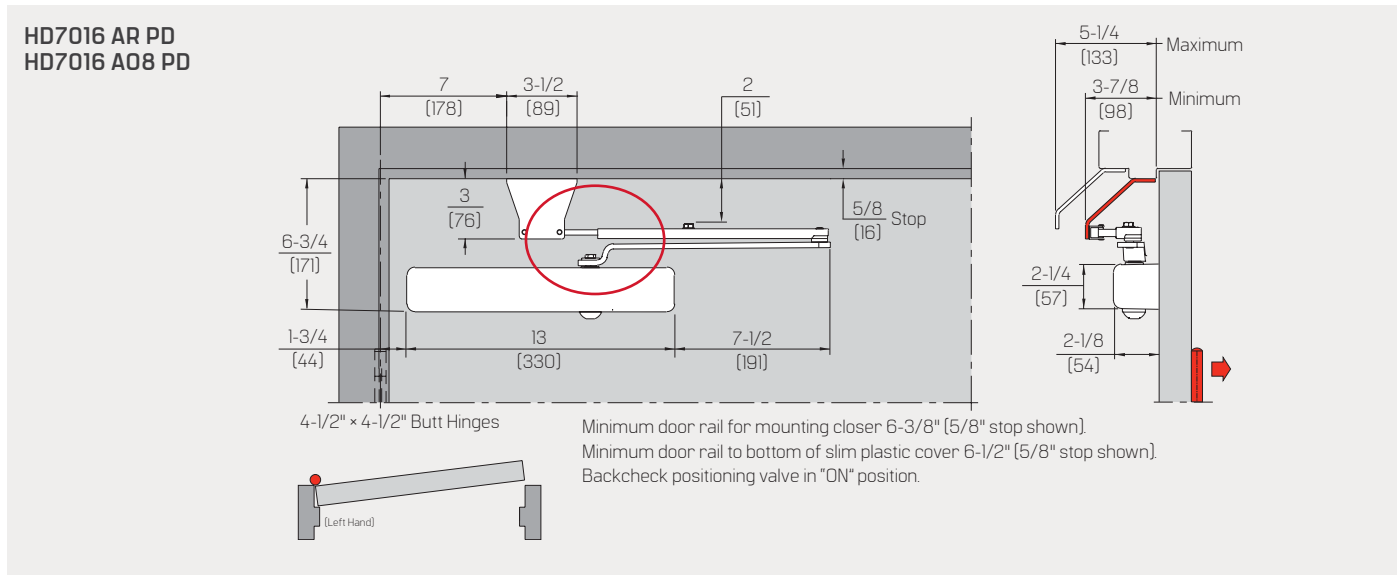


Size Selection Chart

Interior/ Exterior	Door Width				
	2'-0" min.	2'-6" max.	3'-0" max.	3'-6" max.	4'-0" max.
Interior	.	.	⊕	.	.
Exterior	N/A

Maximum Opening	Approximate Backcheck	Approximate Delayed Action	Minimum Door Width
180°	60°-180°	180°-75°	24"

Parallel Arm * Round Form Arm * Parallel Drop Bracket

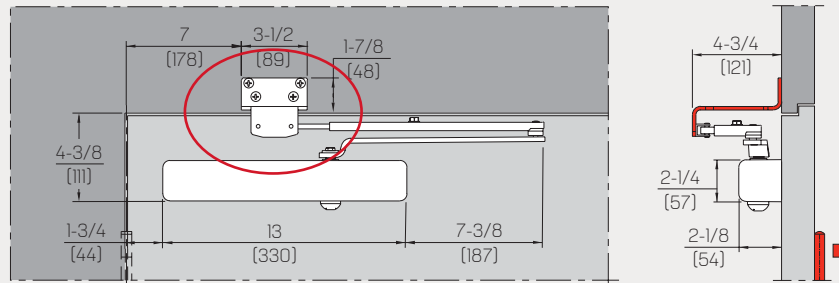


Size Selection Chart

Interior/ Exterior	Door Width				
	2'-0" min.	2'-6" max.	3'-0" max.	3'-6" max.	4'-0" max.
Interior	.	.	⊕	.	.
Exterior	N/A

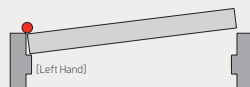
Maximum Opening	Approximate Backcheck	Approximate Delayed Action	Minimum Door Width
180°	60°-180°	180°-75°	24"

HD7016 AR PFT
HD7016 A08 PFT



4-1/2" x 4-1/2" Butt Hinges

Minimum door rail for mounting closer 4-1/8".
Minimum door rail to bottom of optional slim plastic cover 4-1/4".
Minimum door rail to bottom of full cover 5-1/4".
Backcheck positioning valve in "ON" position.



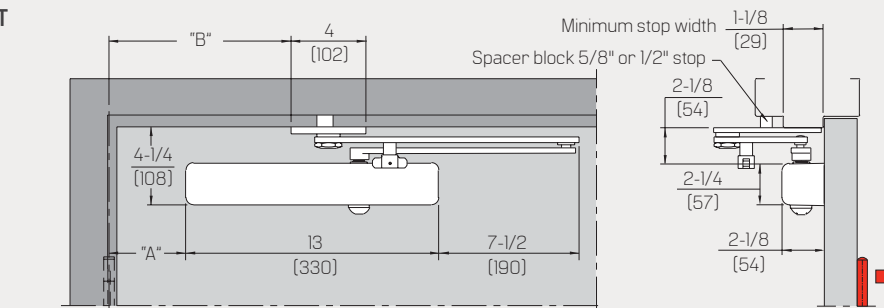
Size Selection Chart

Interior/ Exterior	Door Width				
	2'-0" min.	2'-6" max.	3'-0" max.	3'-6" max.	4'-0" max.
Interior	.	.	&	.	.
Exterior	N/A

Maximum Opening	Approximate Backcheck	Approximate Delayed Action	Minimum Door Width
180°	60°-180°	180°-75°	24"

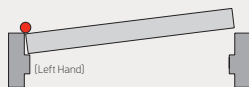
Heavy-Duty Super Parallel Arm

HD7016 SPA/SPAT



4-1/2" x 4-1/2" Butt Hinges

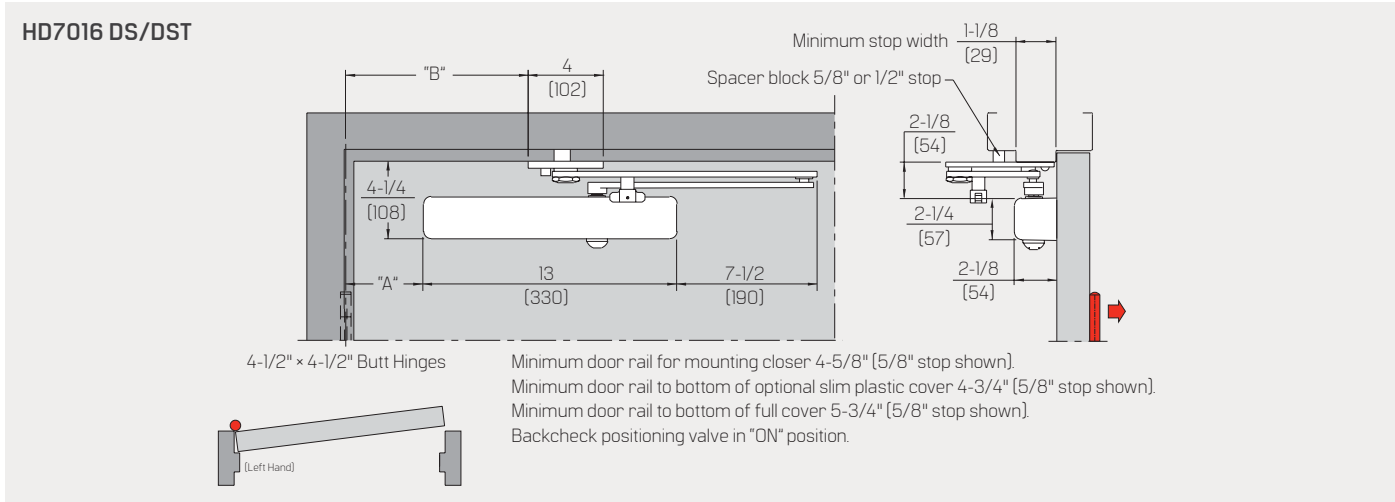
Minimum door rail for mounting closer 4-5/8" [5/8" stop shown].
Minimum door rail to bottom of optional slim plastic cover 4-3/4" [5/8" stop shown].
Minimum door rail to bottom of full cover 5-3/4" [5/8" stop shown].
Backcheck positioning valve in "ON" position.



Size Selection Chart

Interior/ Exterior	Door Width				
	2'-0" min.	2'-6" max.	3'-0" max.	3'-6" max.	4'-0" max.
Interior	.	.	&	.	.
Exterior	N/A

Angle of Opening/ Hold Open	Dim "A" Closer	Dim "B" Soffit Plate	Approximate Maximum Opening	Approximate Backcheck	Approximate Delayed Action	Minimum Door Width
To 100° H.O. 90°	4-3/8" (111)	9-3/4" (248)	100°	60°-100°	100°-75°	26"
To 180° H.O. 123°	3/4" (19)	6-1/4" (159)	180°	80°-180°	180°-95°	23"



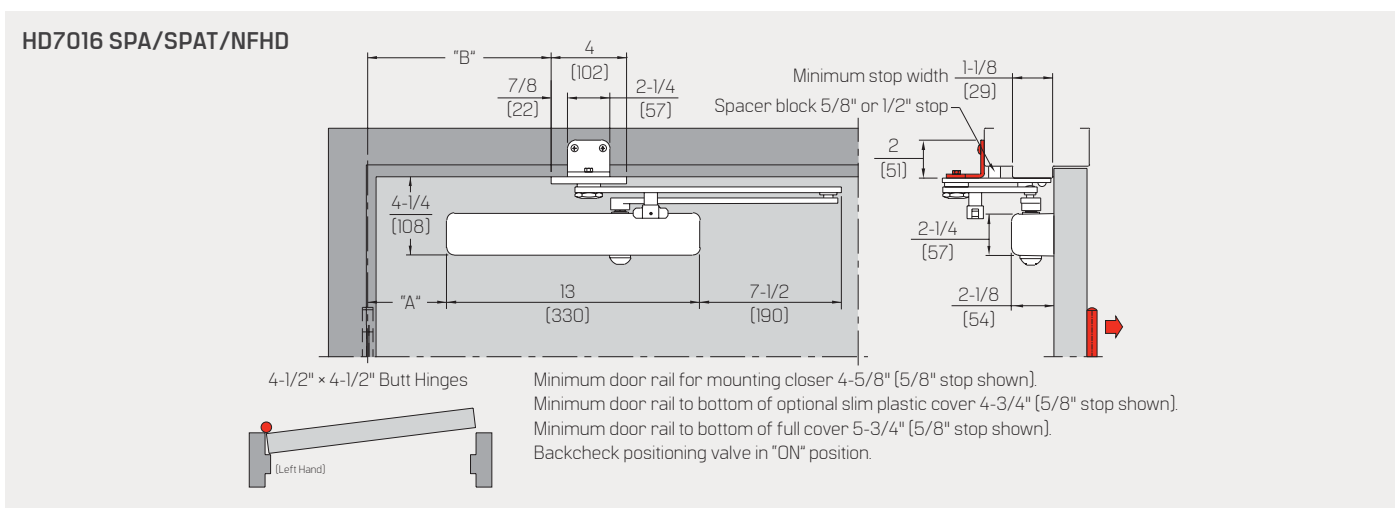
Size Selection Chart

Interior/ Exterior	Door Width				
	2'-0" min.	2'-6" max.	3'-0" max.	3'-6" max.	4'-0" max.
Interior	.	.	⊗	.	.
Exterior	N/A

Template Ref.	Dim "A" Closer	Dim "B" Soffit Plate	*Cushion/ Hold Open	Approximate Backcheck	Approximate Delayed Action	Minimum Door Width
85°	4-5/8" [117]	10-5/8" [270]	85°	50°-85°	85°-65°	26"
90°	3-7/8" [98]	9-7/8" [251]	90°	55°-90°	90°-70°	25"
100°	2-5/8" [67]	8-5/8" [219]	100°	60°-100°	100°-75°	24"
110°	1-1/2" [38]	7-1/2" [191]	110°	65°-110°	110°-80°	23"

* Hold open is approximately 1°-2° less than the cushion angle listed in the chart

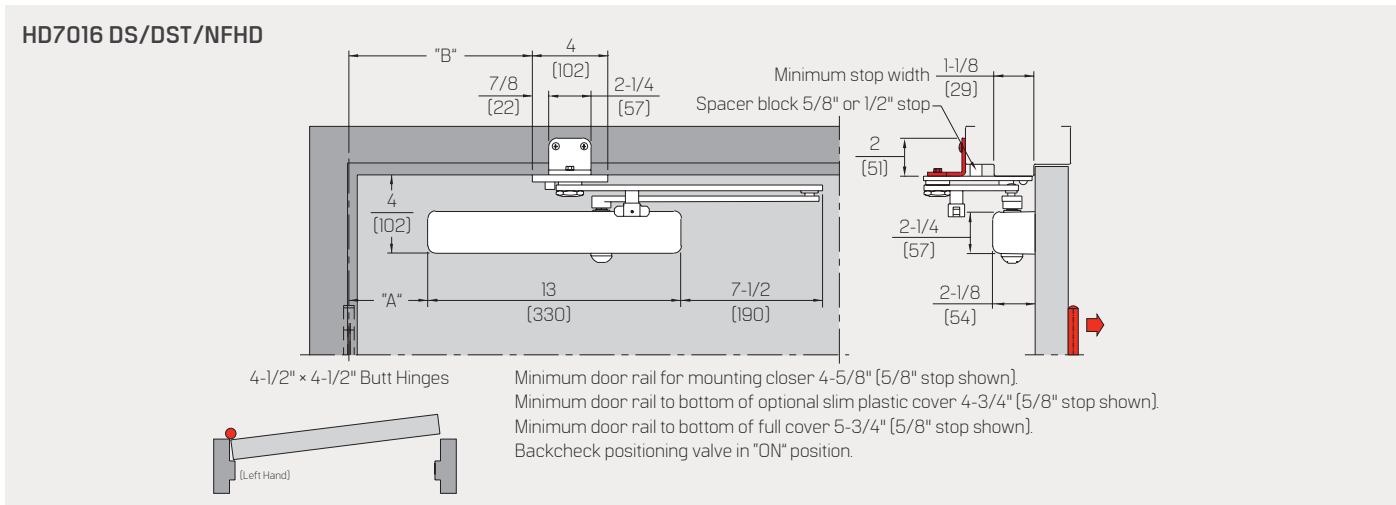
Heavy-Duty Super Parallel Arm x Narrow Frame Bracket



Size Selection Chart

Interior/ Exterior	Door Width				
	2'-0" min.	2'-6" max.	3'-0" max.	3'-6" max.	4'-0" max.
Interior	.	.	⊗	.	.
Exterior	N/A

Angle of Opening/ Hold Open	Dim "A" Closer	Dim "B" Soffit Plate	Approximate Maximum Opening	Approximate Backcheck	Approximate Delayed Action	Minimum Door Width
To 100° H.O. 90°	4-3/8" [111]	9-3/4" [248]	100°	60°-100°	100°-75°	26"
To 180° H.O. 123°	3/4" [19]	6-1/4" [159]	180°	80°-180°	180°-95°	23"



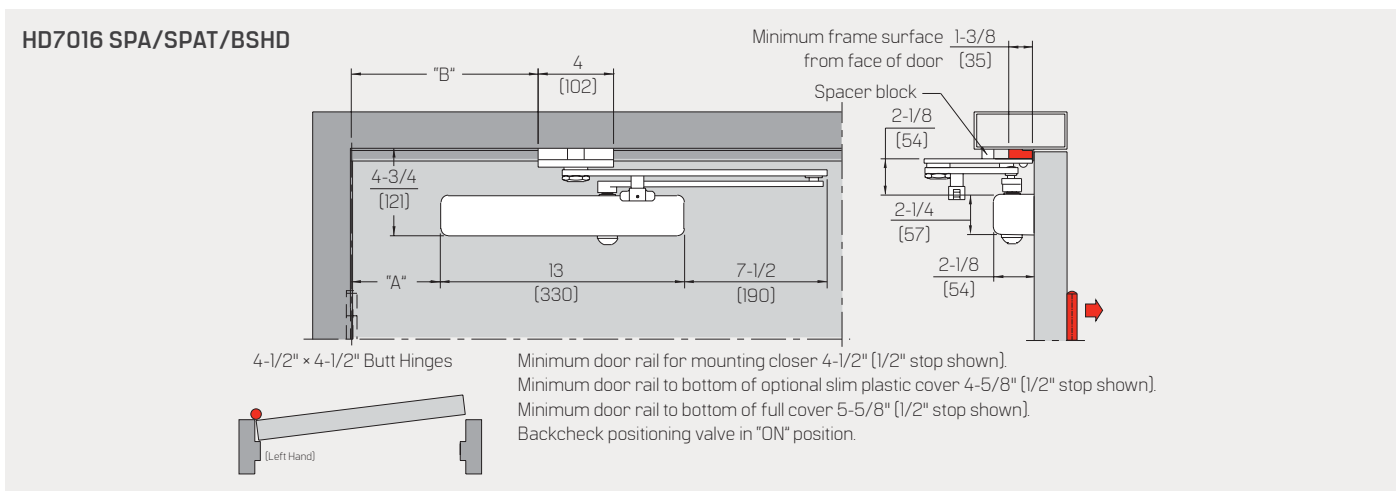
Size Selection Chart

Interior/ Exterior	Door Width				
	2'-0" min.	2'-6" max.	3'-0" max.	3'-6" max.	4'-0" max.
Interior	•	•	•	•	•
Exterior	•	•	•	•	N/A

Template Ref.	Dim "A" Closer	Dim "B" Soffit Plate	*Cushion/ Hold Open	Approximate Backcheck	Approximate Delayed Action	Minimum Door Width
85°	4-5/8" [117]	10-5/8" [270]	85°	50°-85°	85°-65°	26"
90°	3-7/8" [98]	9-7/8" [251]	90°	55°-90°	90°-70°	25"
100°	2-5/8" [67]	8-5/8" [219]	100°	60°-100°	100°-75°	24"
110°	1-1/2" [38]	7-1/2" [191]	110°	65°-110°	110°-80°	23"

* Hold open is approximately 1°-2° less than the cushion angle listed in the chart

Heavy-Duty Super Parallel Arm * Blade Stop Spacer

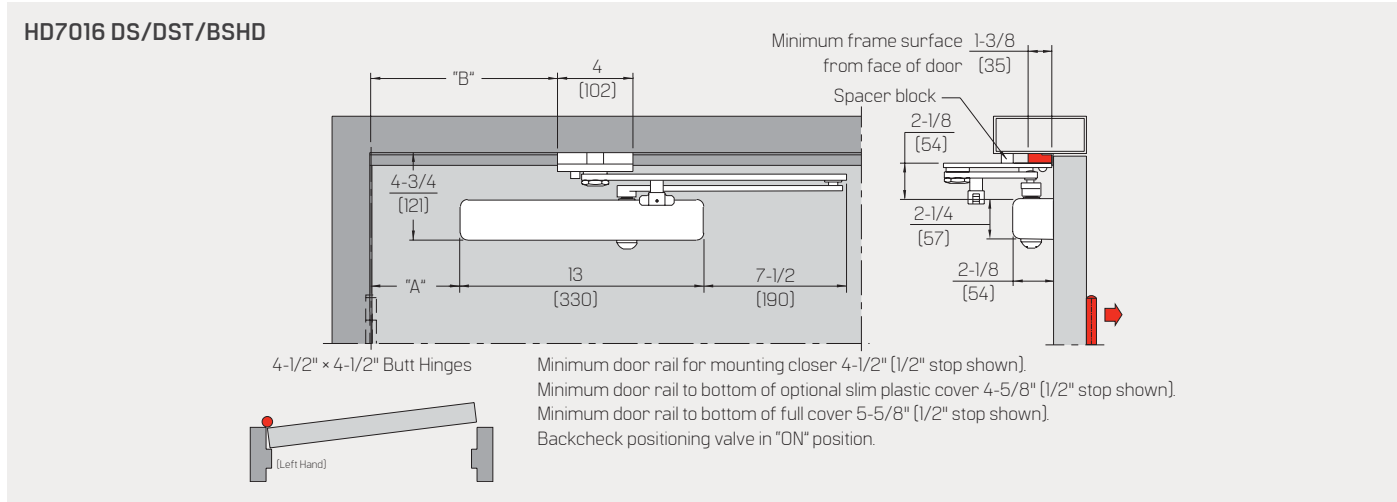


Size Selection Chart

Interior/ Exterior	Door Width				
	2'-0" min.	2'-6" max.	3'-0" max.	3'-6" max.	4'-0" max.
Interior	•	•	•	•	•
Exterior	•	•	•	•	•

Angle of Opening/ Hold Open	Dim "A" Closer	Dim "B" Soffit Plate	Approximate Maximum Opening	Approximate Backcheck	Approximate Delayed Action	Minimum Door Width
To 100° H.O. 90°	4-3/8" [111]	9-3/4" [248]	100°	60°-100°	100°-75°	26"
To 180° H.O. 123°	3/4" [19]	6-1/4" [159]	180°	80°-180°	180°-95°	23"

Heavy-Duty Parallel Arm Door Saver * Blade Stop Spacer



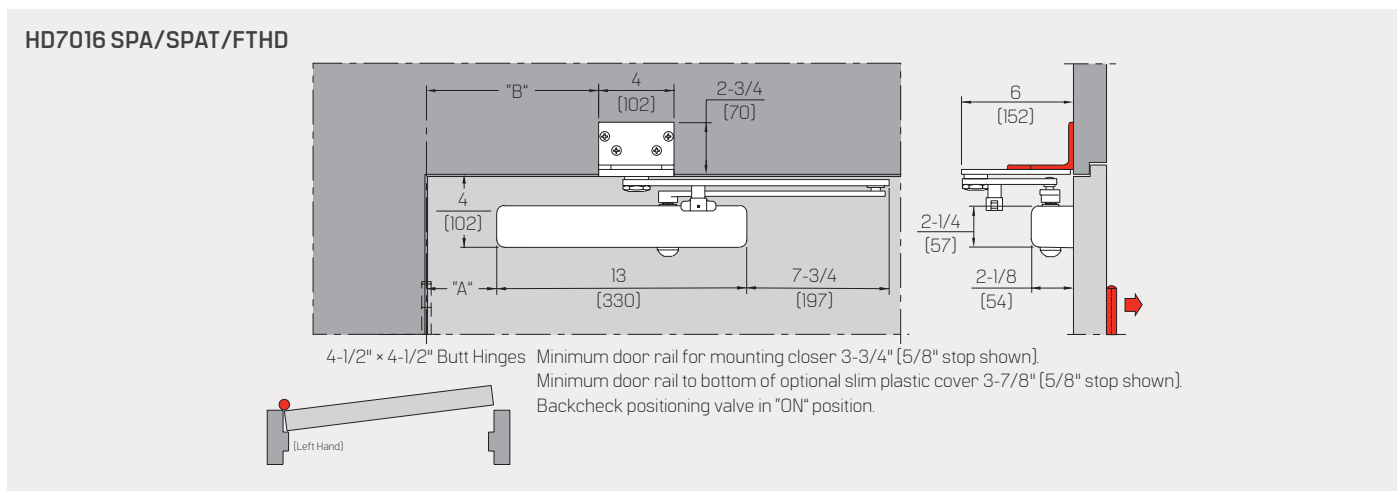
Size Selection Chart

Interior/ Exterior	Door Width				
	2'-0" min.	2'-6" max.	3'-0" max.	3'-6" max.	4'-0" max.
Interior	.	.	&	.	.
Exterior	N/A

Template Ref.	Dim "A" Closer	Dim "B" Soffit Plate	*Cushion/ Hold Open	Approximate Backcheck	Approximate Delayed Action	Minimum Door Width
85°	4-5/8" (117)	10-5/8" (270)	85°	50°-85°	85°-65°	26"
90°	3-7/8" (98)	9-7/8" (251)	90°	55°-90°	90°-70°	25"
100°	2-5/8" (67)	8-5/8" (219)	100°	60°-100°	100°-75°	24"
110°	1-1/2" (38)	7-1/2" (191)	110°	65°-110°	110°-80°	23"

* Hold open is approximately 1°-2° less than the cushion angle listed in the chart

Heavy-Duty Super Parallel Arm * Flush Transom Bracket

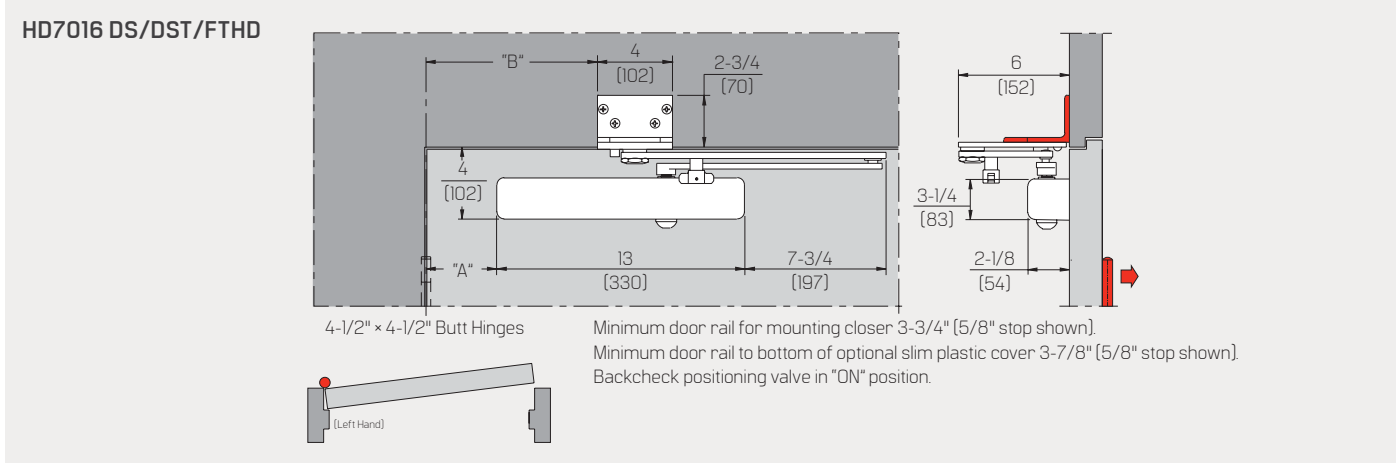


Size Selection Chart

Interior/ Exterior	Door Width				
	2'-0" min.	2'-6" max.	3'-0" max.	3'-6" max.	4'-0" max.
Interior	.	.	&	.	.
Exterior	N/A

Angle of Opening/ Hold Open	Dim "A" Closer	Dim "B" Soffit Plate	Approximate Maximum Opening	Approximate Backcheck	Approximate Delayed Action	Minimum Door Width
To 100° H.O. 90°	4-3/8" (111)	9-3/4" (248)	100°	60°-100°	100°-75°	26"
To 180° H.O. 123°	3/4" (19)	6-1/4" (159)	180°	80°-180°	180°-95°	23"

Heavy-Duty Parallel Arm Door Saver * Flush Transom Bracket



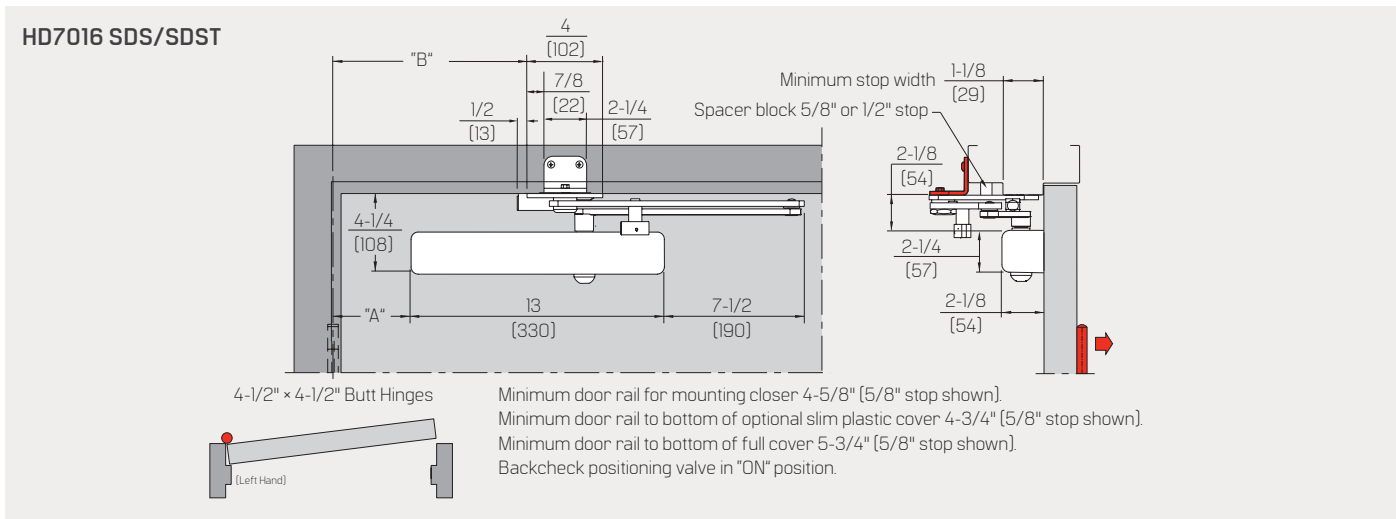
Size Selection Chart

Interior/ Exterior	Door Width				
	2'-0" min.	2'-6" max.	3'-0" max.	3'-6" max.	4'-0" max.
Interior	•	•	•	•	•
Exterior	•	•	•	•	N/A

Template Ref.	Dim "A" Closer	Dim "B" Soffit Plate	*Cushion/ Hold Open	Approximate Backcheck	Approximate Delayed Action	Minimum Door Width
85°	4-5/8" [117]	10-5/8" [270]	85°	50°-85°	85°-65°	26"
90°	3-7/8" [98]	9-7/8" [251]	90°	55°-90°	90°-70°	25"
100°	2-5/8" [67]	8-5/8" [219]	100°	60°-100°	100°-75°	24"
110°	1-1/2" [38]	7-1/2" [191]	110°	65°-110°	110°-80°	23"

* Hold open is approximately 1°-2° less than the cushion angle listed in the chart

Heavy-Duty Parallel Arm * Spring Stop Door Saver



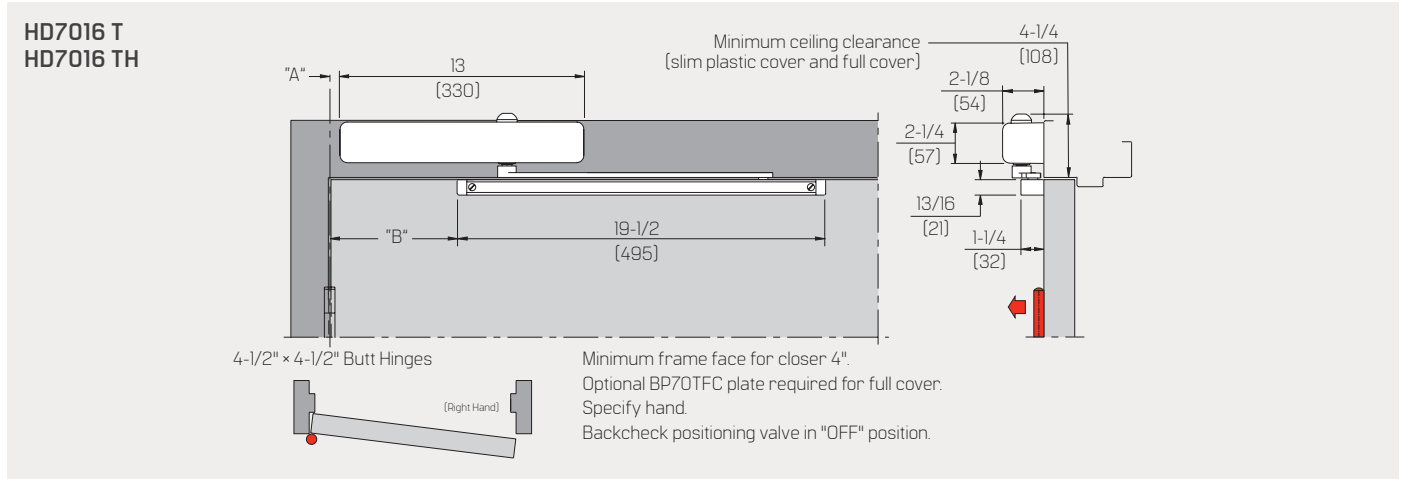
Size Selection Chart

Interior/ Exterior	Door Width				
	2'-0" min.	2'-6" max.	3'-0" max.	3'-6" max.	4'-0" max.
Interior	•	•	•	•	•
Exterior	•	•	•	•	N/A

Template Ref.	Dim "A" Closer	Dim "B" Soffit Plate	*Cushion/ Hold Open	Approximate Backcheck	Approximate Delayed Action	Minimum Door Width
85°	4-5/8" [117]	10-5/8" [270]	85°	50°-85°	85°-65°	26"
90°	3-7/8" [98]	9-7/8" [251]	90°	55°-90°	90°-70°	25"
100°	2-5/8" [67]	8-5/8" [219]	100°	60°-100°	100°-75°	24"
110°	1-1/2" [38]	7-1/2" [191]	110°	65°-110°	110°-80°	23"

* Hold open is approximately 1°-2° less than the cushion angle listed in the chart

Track–Pull Side Door Mounted

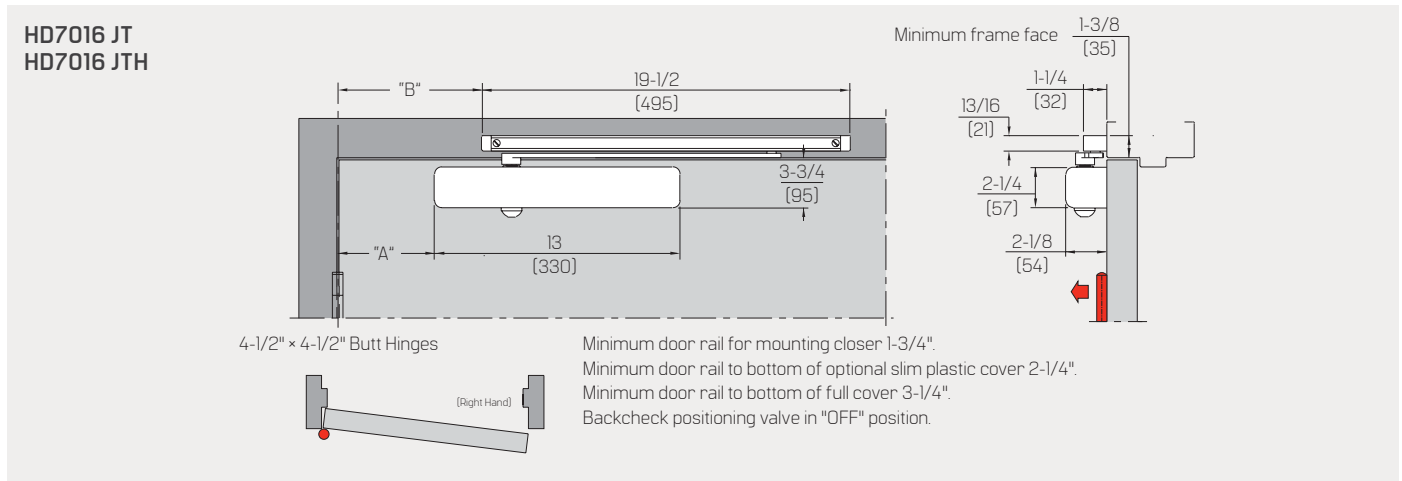


Size Selection Chart

Interior/ Exterior	Door Width				Template Ref.	Dim "A"	Dim "B"	Cushion	Maximum Hold Open	*Approximate Backcheck	Approximate Delayed Action	Minimum Door Width
	2'-0" min.	2'-6" max.	3'-0" max.	3'-6" max.								
Interior	•	•	•	•	85°	7/8" [22]	9-7/8" [251]	85°	83°	65°–85°	85°–65°	31"
Exterior	•	•	•	N/A	90°	7/8" [22]	8-7/8" [225]	90°	88°	65°–90°	90°–65°	30"
					100°	-3/8" [-10]	7" [178]	110°	108°	70°–110°	110°–70°	27"
					110°	-7/8" [-22]	4-3/8" [111]	180°	160°	80°–180°	180°–80°	25"

*Backcheck is advanced approximately 15° with positioning valve on.

Jamb Track–Pull Side Frame Mounted

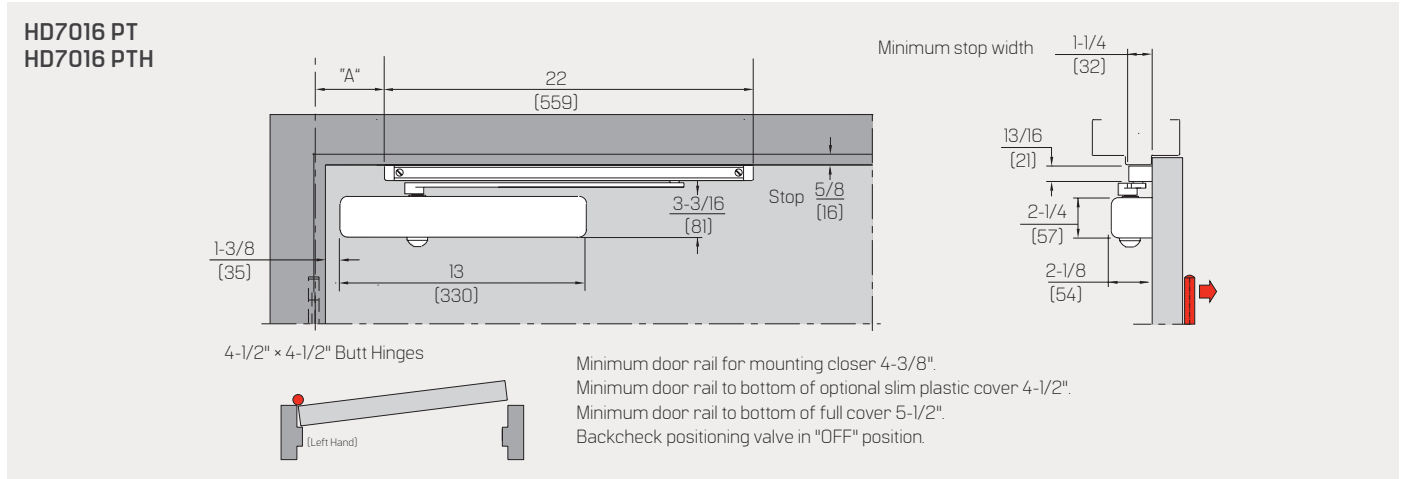


Size Selection Chart

Interior/ Exterior	Door Width				Template Ref.	Dim "A"	Dim "B"	Cushion	Maximum Hold Open	*Approximate Backcheck	Approximate Delayed Action	Minimum Door Width
	2'-0" min.	2'-6" max.	3'-0" max.	3'-6" max.								
Interior	•	•	•	•	85°	6" [152]	8" [203]	85°	80°	60°–85°	85°–60°	31"
Exterior	•	•	•	N/A	90°	5-1/2" [140]	7-1/2" [191]	90°	85°	65°–90°	90°–65°	30"
					110°	4-1/4" [108]	5-3/4" [146]	110°	100°	80°–110°	110°–80°	28"
					175°	3-3/4" [95]	3-3/4" [95]	175°	145°	95°–180°	175°–95°	25"

*Backcheck is advanced approximately 15° with positioning valve on.

Push Track—Push Side Soffit Mounted

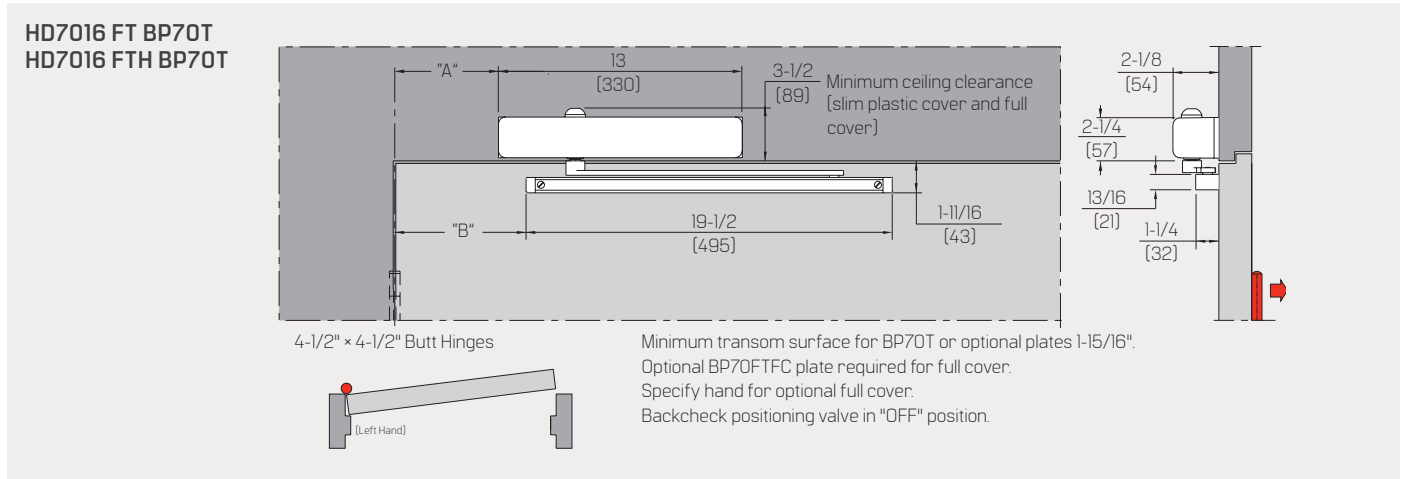


Size Selection Chart

Interior/ Exterior	Door Width			Template Ref.	Dim "A"	Cushion	Maximum Hold Open	*Approximate Backcheck	Approximate Delayed Action	Minimum Door Width
	2'-6" max.	3'-0" max.	3'-6" max.							
Interior	•	&	•	85°	9" [228]	85°	82°	65°-85°	85°-65°	32"
Exterior	•	•	N/A	90°	7-3/8" [187]	90°	87°	65°-90°	90°-65°	30"
				100°	5-3/8" [136]	100°	97°	65°-100°	100°-65°	28"

*Backcheck is advanced approximately 15° with positioning valve on.

Flush Track—Push Side Door Mounted * Backplate

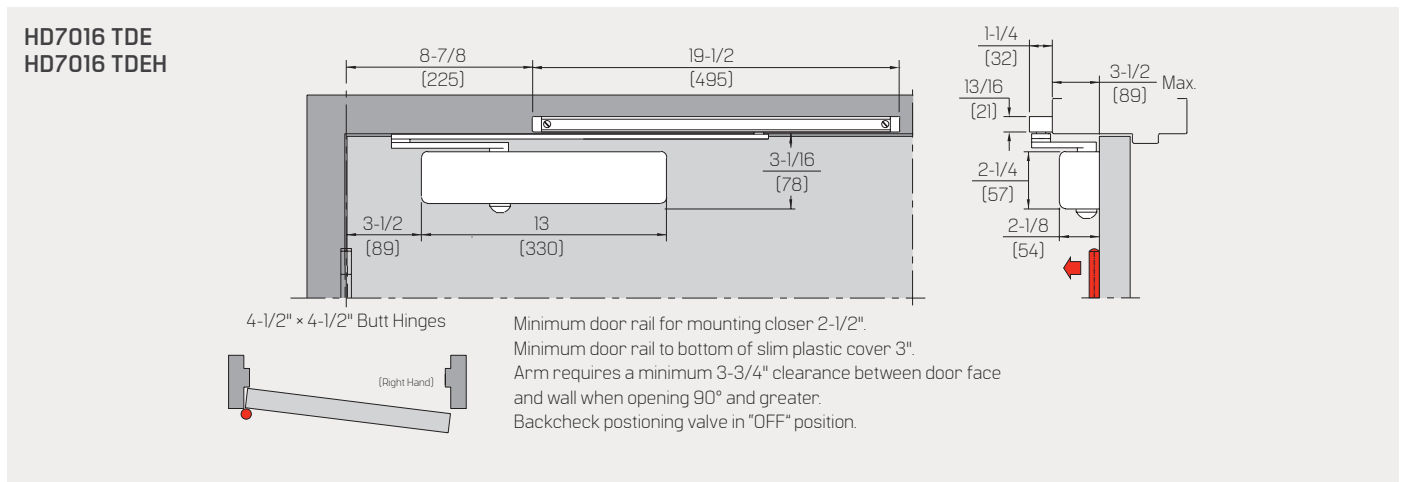


Size Selection Chart

Interior/ Exterior	Door Width				Template Ref.	Dim "A"	Dim "B"	Cushion	Maximum Hold Open	*Approximate Backcheck	Approximate Delayed Action	Minimum Door Width
	2'-0" min.	2'-6" max.	3'-0" max.	3'-6" max.								
Interior	•	•	&	•	85°	4-7/8" [124]	6-7/8" [175]	85°	82°	60°-85°	85°-60°	29"
Exterior	•	•	•	N/A	90°	4-3/8" [111]	6-5/8" [168]	90°	87°	65°-90°	90°-65°	28"
					110°	3-3/8" [86]	5-1/4" [133]	110°	105°	75°-110°	110°-75°	26"
					140°	2-3/8" [60]	4-1/2" [114]	135°	125°	85°-135°	135°-85°	25"

*Backcheck is advanced approximately 15° with positioning valve on.

Track Double Egress—Pull Side Frame Mounted



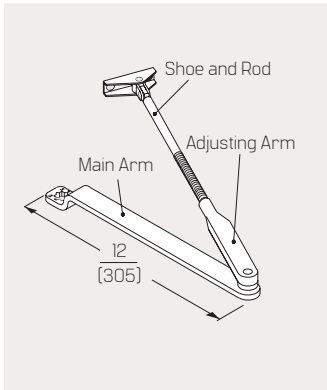
Size Selection Chart

Interior/ Exterior	Door Width		
	2'-6" max.	3'-0" max.	3'-6" max.
Interior	•	⊗	•
Exterior	•	⊗	N/A

Template Ref.	Cushion	Maximum Hold Open	*Approximate Backcheck	Approximate Delayed Action	Minimum Door Width
125°	125°	110°	70°–125°	125°–70°	30"

*Backcheck is advanced approximately 15° with positioning valve on.

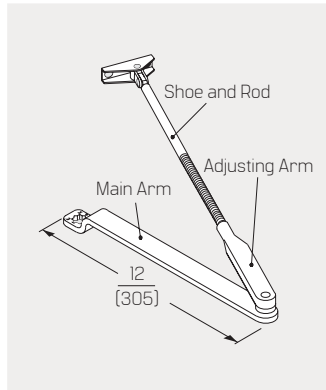
Round Form Arm (8 mm rod)



AR – Complete arm assembly (0"–4" [0 mm–102 mm] reveal) with 8 mm rod. Optional arm with HD7000 Series closers. Arm is non-handed.

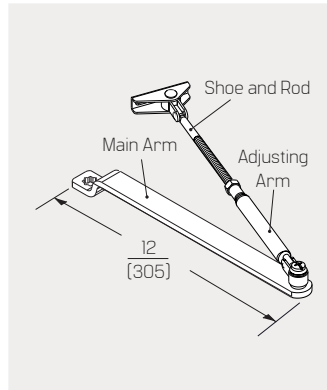
ARP – Parallel round form arm complete (Tri-Pack) (0"–4" [0 mm–102 mm] reveal). P70 included.

Round Form Arm (10 mm rod)



ARJ – Complete arm assembly (4"–8" [102 mm–203 mm] reveal) with (10 mm) rod. Designed specifically for top jamb applications with deeper reveals. Arm is non-handed.

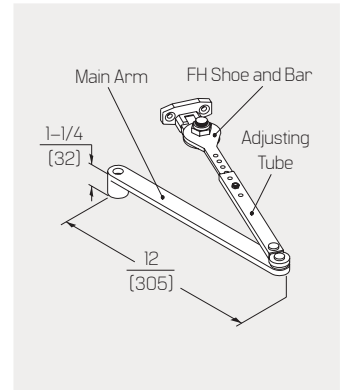
Round Form Arm (8 mm rod)



A08 – Complete secured elbow arm non-hold open assembly (0"–4" [0 mm–102 mm] reveal) with 8 mm rod. Optional arm with HD7000 Series closers. Arm is non-handed.

A08P – Parallel round form arm secured elbow non-hold open complete (Tri-Pack) (0"–4" [0 mm–102 mm] reveal). P86 included.

Friction Hold Open Arm



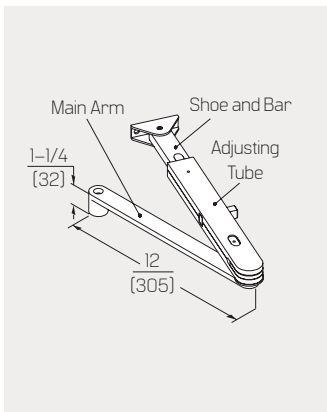
Provides a hold open function between approximately 90° and 180° of door opening (conditions permitting). Arm is non-handed.

FH – Friction hold open arm complete (0"–4" [0 mm–102 mm] reveal).

FHJ – Top jamb friction hold open arm complete (4"–8" [102 mm–203 mm] reveal).

FHP – Friction hold open arm complete (Tri-Pack) (0"–4" [0 mm–102 mm] reveal). PHB included.

Plunger Hold Open Arm

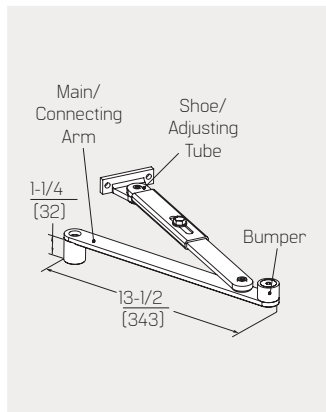


Provides a hold open function at a selected point within a range from approximately 30°–150° (conditions and installation applications permitting). Ideal for doors frequently placed in and out of hold open. Arm is non-handed.

PH – Plunger hold open arm complete regular or top jamb mount (0"–1-1/2" [0 mm–38 mm] reveal).

PHP – Plunger hold open arm complete parallel arm or top jamb mount (1-1/2"–3-1/2" [38 mm–89 mm] reveal).

Cushion IS Arm



Provides a cushioned opening function for regular and top jamb applications at 85°, 90°, 95°, 100°, 105°, and 110°. Arm is non-handed.

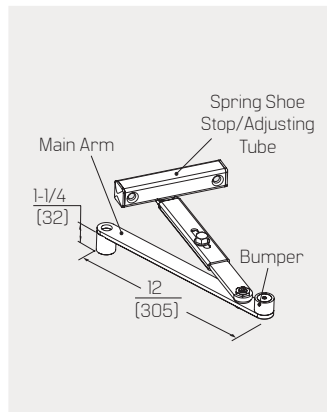
IS – Cushion IS arm complete (0"–3-1/2" [0 mm–89 mm] reveal).

ISJ – Cushion IS top jamb arm complete (3-1/2"–6-1/2" [89 mm–165 mm] reveal).

ISH – Cushion IS hold open arm complete (0"–3-1/2" [0–89 mm] reveal).

ISJH – Cushion IS top jamb hold open arm complete. (3-1/2"–6-1/2" [89 mm–165 mm] reveal).

Spring Stop IS Arm



Provides a spring assisted dead stop function for regular and top jamb applications at 85°, 90°, 100°, and 110°. Arm is non-handed.

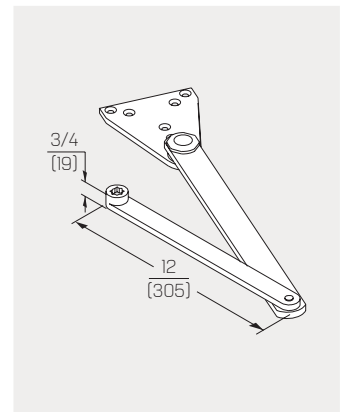
SIS – Spring assist integra stop arm complete (0"–3-1/2" [0 mm–89 mm] reveal).

SISH – Spring assist integra stop hold open complete (0"–3-1/2" [0 mm–89 mm] reveal).

SISJ – Spring assist top jamb integra stop arm complete (3-1/2"–6-1/2" [89 mm–165 mm] reveal).

SISJH – Spring assist top jamb integra stop hold open arm complete (3-1/2"–6-1/2" [89 mm–165 mm] reveal).

Super Parallel Arm

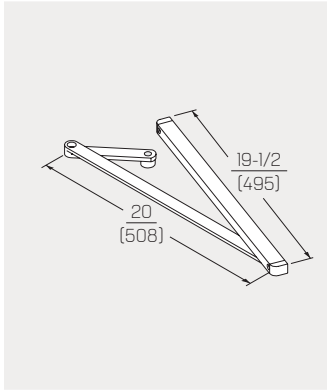


Heavy-duty parallel arm. Available in non-hold open, thumb turn hold open, and hex key turn hold open. Units can be installed for maximum opening of 100° or 180°. Hold open units will hold open at 90° or 125°. Maximum opening is 180° (conditions permitting). Arm is non-handed. Non-hold open arm illustrated.

SPA – Super parallel arm non-hold open.

SPAT – Super parallel arm thumb turn hold open.

TDE Track Arm

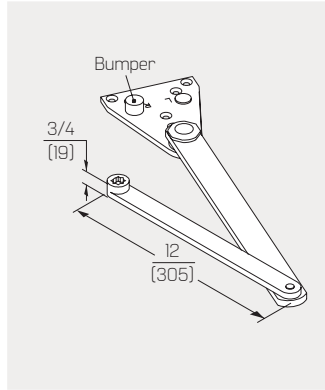


Provides slide track function for pull-side reveal conditions up to 3-1/2". Provides 125° of door opening (conditions permitting). Arm is handed. Also available with hold open option to provide selective single point hold open between 30° and 110°. Arm requires a minimum 3-3/4" clearance between door face and wall when opened 90° and greater.

TDE – Double egress track arm complete.

TDEH – Double egress hold open track arm complete.

Door Saver Arm

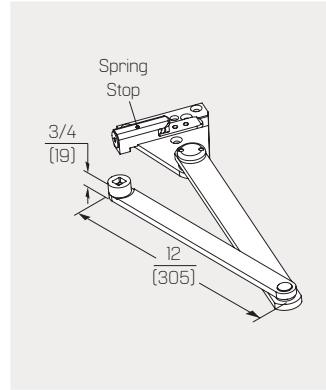


Heavy-duty parallel arm with integral cushioned opening function. Available in non-hold open, thumb turn hold open, and hex key turn hold open. Units can be installed to achieve either stop or stop and hold open at 85°, 90°, 100°, and 110°. Maximum opening is 110° (conditions permitting). Arm is non-handed. Non-hold open arm illustrated.

DS – Door saver arm non-hold open.

DST – Door saver arm thumb turn hold open.

Spring Stop Door Saver Arm

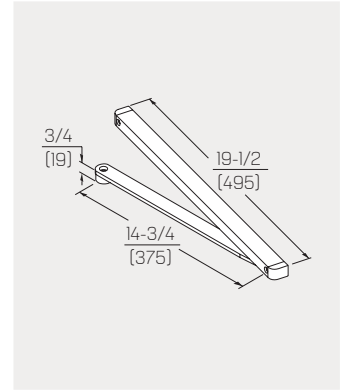


Heavy-duty parallel arm with spring assisted dead stop function. Available in non-hold open and thumb turn hold open. Units can be installed to achieve either stop or stop and hold open at 85°, 90°, 100°, and 110°. Maximum opening is 110° (conditions permitting). Arm is non-handed. Non-hold open arm illustrated.

SDS – Spring assist door saver arm.

SDST – Spring assist door saver arm thumb turn hold open.

Track Arm

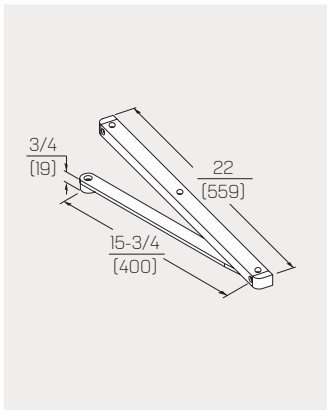


Provides slide track function for improved aesthetics and vandal resistance. Units can be installed to provide 85°, 90°, 110°, or 180° of door opening (conditions and application permitting). Arm is non-handed.

T – Track arm complete. Can be used on pull-side T applications (closer on door, track on frame) and JT applications (track on frame, closer on door). Can also be used with FT flush transom applications (closer on transom, track on door).

TH – Track hold open arm complete. Can be used in same applications as T arm. Range of hold open and maximum opening varies with mounting application.

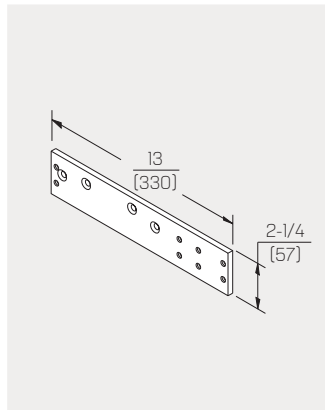
Push Side Track Arm



PT – Push-side track arm complete. Used with PT track applications (closer on door, track on soffit).

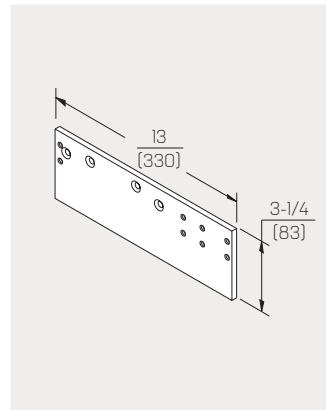
PTH – Push-side track hold open arm complete. Used with PT track applications (closer on door, track on soffit).

Backplate



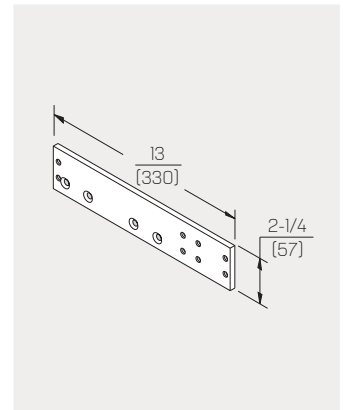
BP70 – For top jamb mount of HD7000 Series closers when overhead ceiling clearance is less than 2-1/4" (57 mm) or for regular mount to clear a mortised stop/holder.

Backplate



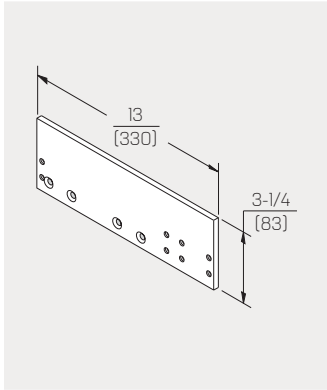
BP70FC – For top jamb mount with a full cover when overhead ceiling clearance is less than 2-1/4" (57 mm) or for regular mount to clear a mortised stop/holder.

Backplate



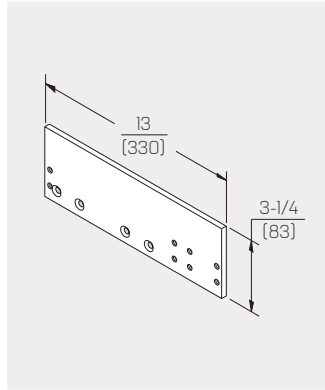
BP70T – For use with pull-side track applications (closer on frame face, track on door) to permit installation on a standard 2" (51 mm) frame face.

Backplate



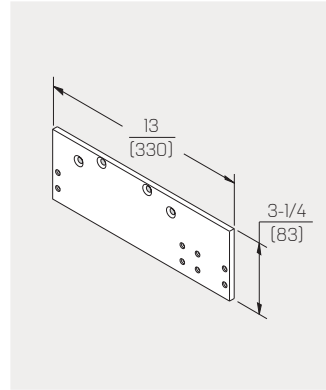
BP70TFC – For use with pull-side track applications with full cover (closer on frame face, track on door) to permit installation on a standard 2" (51 mm) frame face.

Backplate



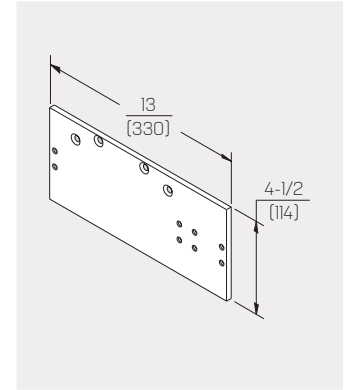
BP70FTFC – Required for track mount with full cover when being used on a flush transom (closer on transom, track on door). Mounting holes in the plate avoid rabbet on door.

Drop Plate



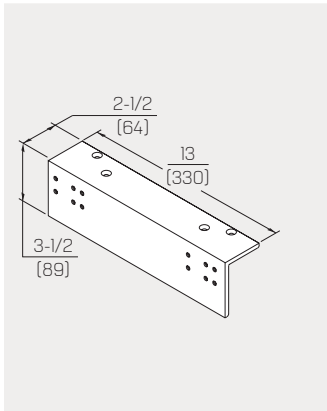
DP70 – For top jamb mount of HD7000 Series closers with SPC, FC or MC when overhead ceiling clearance is less than 1-7/8" (48 mm) or to provide clearance for a surface-applied stop/holder. Permits parallel arm installation with a minimum top door rail of 2-1/2" (64 mm) for non-hold open, 2-5/8" (67 mm) for friction, fusible link and plunger hold open applications (assuming 5/8" (16 mm) stop dimension).

Drop Plate



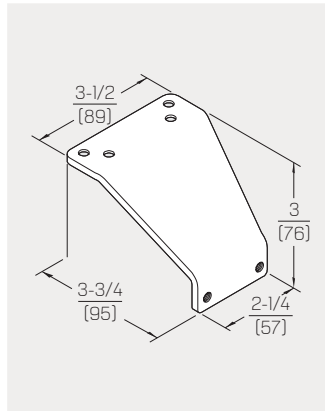
DP70FC – Permits parallel arm installation with minimum top door rail of 2-1/2" (64 mm) for non-hold open, 2-5/8" (67 mm) for friction, fusible link, and plunger hold open applications (assuming 5/8" (16 mm) stop dimension).

Angle Bracket



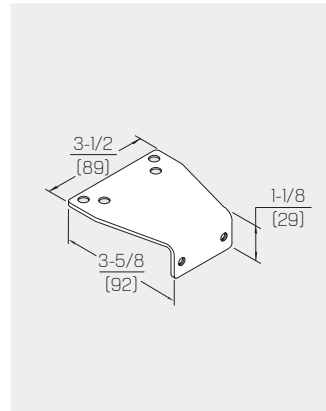
AB70 – For installation of HD7000 Series closers where parallel arm and top jamb applications are not practical due to low overhead ceiling clearance, narrow frame face, or unusual trim conditions. This bracket can also be used to provide clearance for a surface-applied stop/holder.

Parallel Drop Bracket



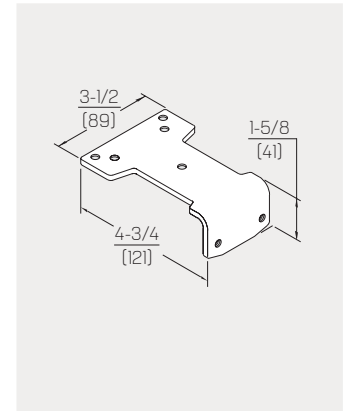
PD – For HD7000 Series closer non-hold open parallel arm applications to clear a surface-applied stop/holder.

Parallel Arm Bracket



P70 – Furnished standard with HD7000 Series closer non-hold open and plunger hold open parallel arm applications.

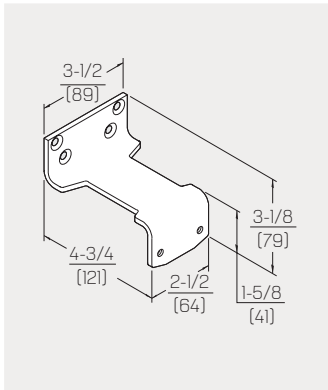
Parallel Hold Open Bracket



PHB – Furnished standard with HD7000 FHP closer friction hold open parallel arm applications. Spacer block furnished standard for use with narrow stop applications.

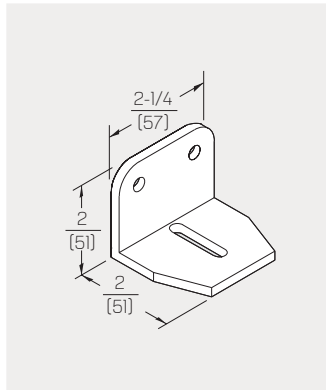
*Overhead ceiling clearance is measured from bottom of frame face to ceiling.

Parallel Flush Transom Bracket



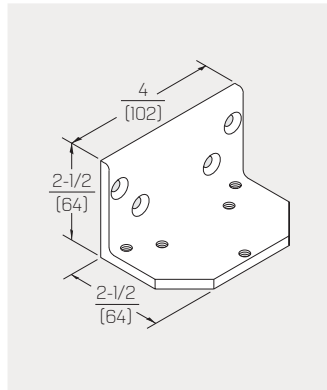
PFT – For all hold open and non-hold open parallel arm installations where flush transom conditions prohibit use of P70 or PHB bracket.

Narrow Frame Bracket



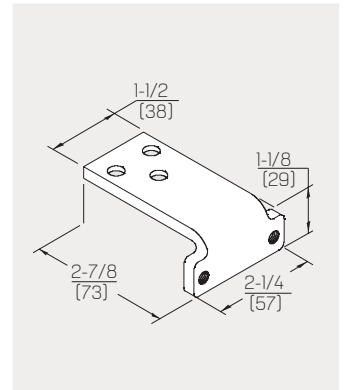
NFHD – For use with all DS and SPA applications where total frame depth is less than 4-1/2" (114 mm), prohibiting use of standard spacer block. NFHD bracket is used in lieu of block supplied with arm.

Flush Transom Bracket



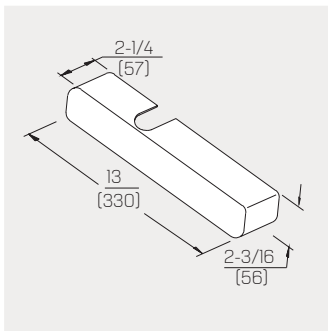
FTHD – For use with all DS and SPA applications where flush transom conditions prohibit normal installation of soffit bracket.

Mortised Jamb Bracket



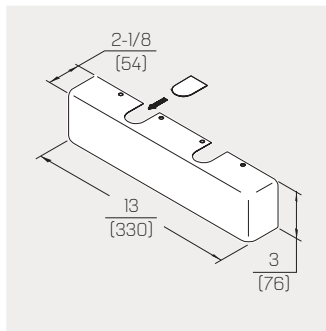
MJ – For HD7000 Series closers with regular mount non-hold open assemblies where frame conditions will not permit use of the standard foot, e.g. molded or ornate trim. Permits use of parallel arm application between twin communicating doors where limited space prohibits use of the wider P70 bracket.

Slim Plastic Cover



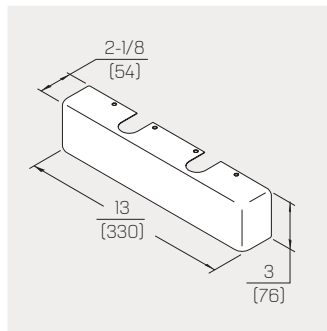
SPC – Slim plastic cover furnished standard with HD7000 Series closers.

Full Plastic Cover



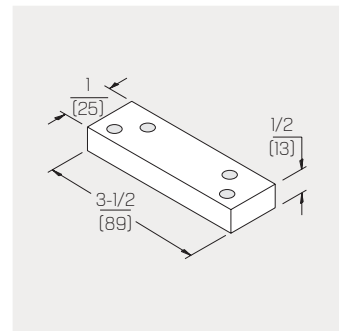
FC – Full plastic cover with interchangeable tab.

Full Metal Cover



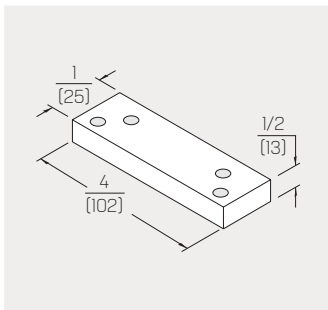
MC – Full metal cover. Specify hand.

Blade Stop Spacer



BS – For use with all HD7000 Series P70, PD, and PHB applications installed on cased frames with applied blade stops. This block is used to provide adequate clearance for the blade stop.

Heavy-Duty Blade Stop Spacer



BSHD – For use with all HD7000 Series DS and SPA applications installed on cased frames with applied blade stops. This block is used in conjunction with the spacer furnished with the arm to provide adequate clearance for the blade stop.



CORPORATE HEADQUARTERS

6161 EAST 75TH STREET
INDIANAPOLIS, IN 46250 USA

Phone 855-365-2407

bestaccess.com

For questions about ordering and to be sure you get the right configuration for your needs, [contact your BEST dormakaba sales representative](#).
6161 East 75th Street, Indianapolis, IN 46250 USA | [855-365-2407](tel:855-365-2407) | bestaccess.com